

1

2

3

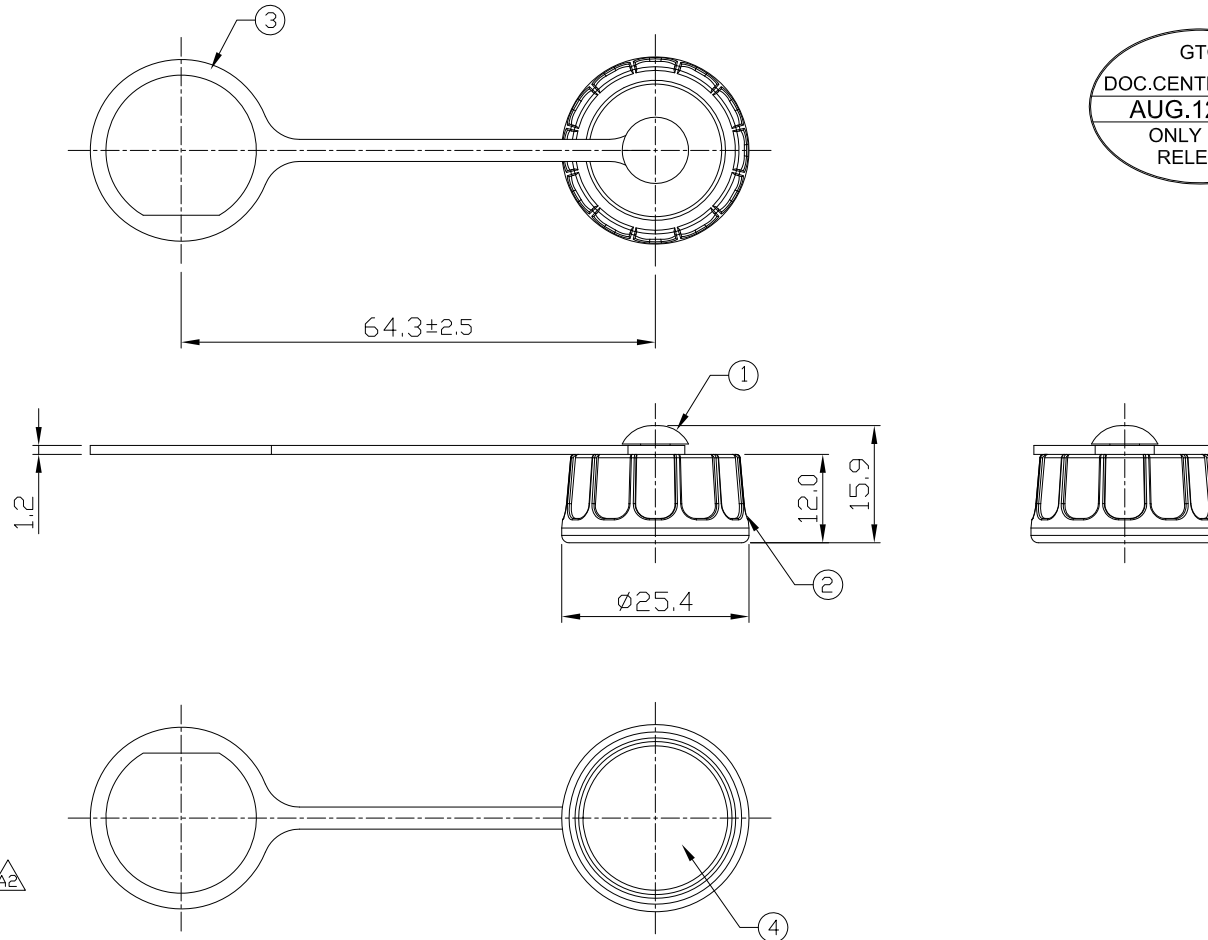
4

Notes: (Unless Otherwise Specified)

- 1. Waterproof Rate : IP67.
- 2. RoHS Compliant.

REV	ECN#	DESCRIPTION OF REVISION	DRAW BY DATE	CHECK BY DATE	APPROVE BY DATE
A2	ECN-200629	Change The Material Of Rubber Chain, TPE → NBR.	Aileen 08/11/20	Lucas 08/11/20	Ray 08/11/20

GTC
 DOC.CENTER.ISSUE
 AUG.12.2020
 ONLY FOR
 RELEASE



4	Rubber Pad	Silicone Color: Black	1
3	Rubber Chain	NBR Color: Black	1
2	Screw Cap	Thermal Plastic Color: Black	1
1	Plastic Rivet	Thermal Plastic Color: Black	1
Item	Part Name	Material / Finish	Q'TY

A2

TITLE						DRAWING NUMBER			REV.
Cap Plastic For C3 Screw Panel With Rubber Chain						GT1C533122			A2
THIRD ANGLE PROJECTION	SIZE	SCALE	DRAW / DATE	CHECK / DATE	APPROVE / DATE	TOLERANCES	UNIT	SHEET	
	B	1:1	Karen 10/30/09	Ray 10/30/09	Ray 10/30/09	X.X ± 0.5 X.XX ± 0.2	X.XXX ± 0.05 ANGLES ± 1°	mm 1/1	

GT Contact CO.,LTD

NOTICE OF PROPRIETARY PROPERTY:
 THE INFORMATION CONTAINED HEREIN IS THE PROPRIETARY PROPERTY OF GT Contact CO.,LTD THE POSSESSOR AGREES TO THE FOLLOWING:
 (i) TO MAINTAIN THIS DOCUMENT IN CONFIDENCE
 (ii) NOT TO REPRODUCE OR COPY IT
 (iii) NOT TO REVEAL OR PUBLISH IT IN WHOLE OR PART
 (iv) ALL RIGHTS RESERVED

1

2

3

4