

1

2

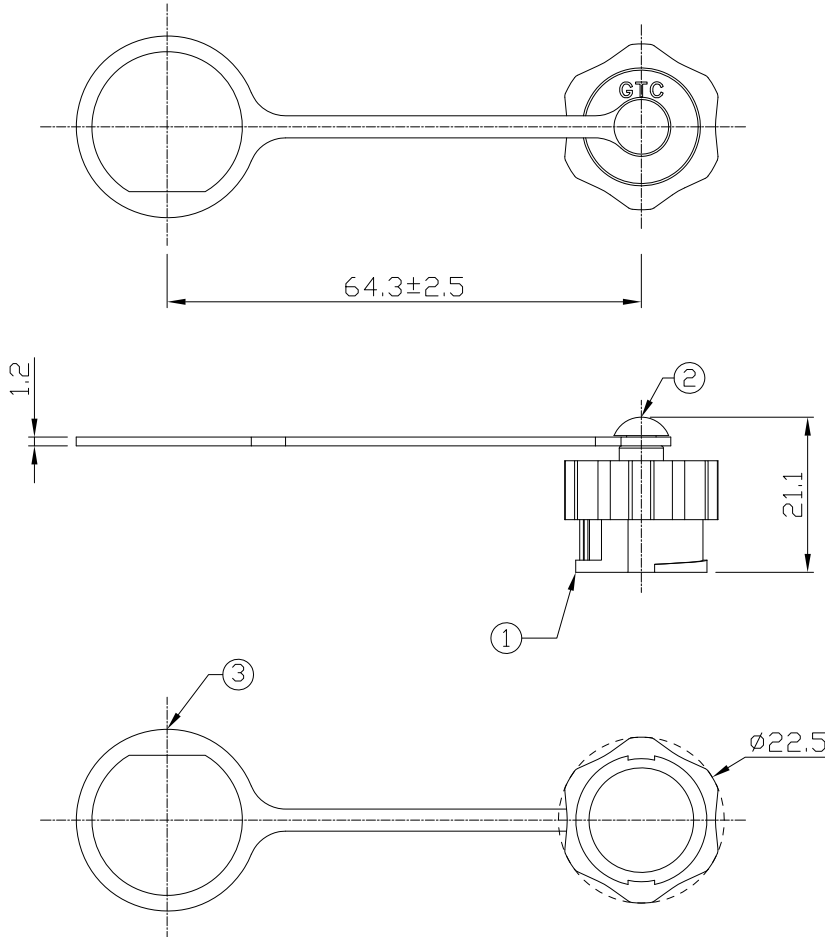
3

4

Notes: (Unless Otherwise Specified)

- 1. Waterproof Rate : IP67.
- 2. RoHS Compliant.

| REV | ECN# | DESCRIPTION OF REVISION | DRAW BY DATE | CHECK BY DATE | APPROVE BY DATE |
|-----|------|-------------------------|-------------------|-----------------|-----------------|
| 01 | | | Lucas 03/19/14 | Ray 03/19/14 | Ray 03/19/14 |



GTC
R&D DEPT. ISSUE
APR.08.2014
ONLY FOR
RELEASE

| Item | Part Name | Material / Finish | Q'TY |
|------|---------------|-------------------------------|------|
| 3 | Rubber Chain | TPE Color: Black | 1 |
| 2 | Plastic Rivet | Thermoplastic Color: Black | 1 |
| 1 | Lock Cap | Thermoplastic Color: Black | 1 |

| | | | | | | | | |
|--|------|-------|----------------|--------------|----------------|------------------------------|-----------------------------|------------|
| TITLE Cap Plastic For C3 Lock Cable End With Rubber Chain | | | | | | DRAWING NUMBER GT1C532222 | | REV. 01 |
| | B | 1:1 | Lucas 03/19/14 | Ray 03/19/14 | Ray 03/19/14 | X.X ± 0.5 X.XX ± 0.2 | X.XXX ± 0.05 ANGLES ± 1° | mm 1/1 |
| THIRD ANGLE PROJECTION | SIZE | SCALE | DRAW / DATE | CHECK / DATE | APPROVE / DATE | TOLERANCES | | UNIT SHEET |

GT Contact CO.,LTD

NOTICE OF PROPRIETARY PROPERTY:

THE INFORMATION CONTAINED HEREIN IS THE PROPRIETARY PROPERTY OF GT Contact CO.,LTD THE POSSESSOR AGREES TO THE FOLLOWING:

- (i) TO MAINTAIN THIS DOCUMENT IN CONFIDENCE
- (ii) NOT TO REPRODUCE OR COPY IT
- (iii) NOT TO REVEAL OR PUBLISH IT IN WHOLE OR PART
- (iv) ALL RIGHTS RESERVED

1

2

3

4