

1

2

3

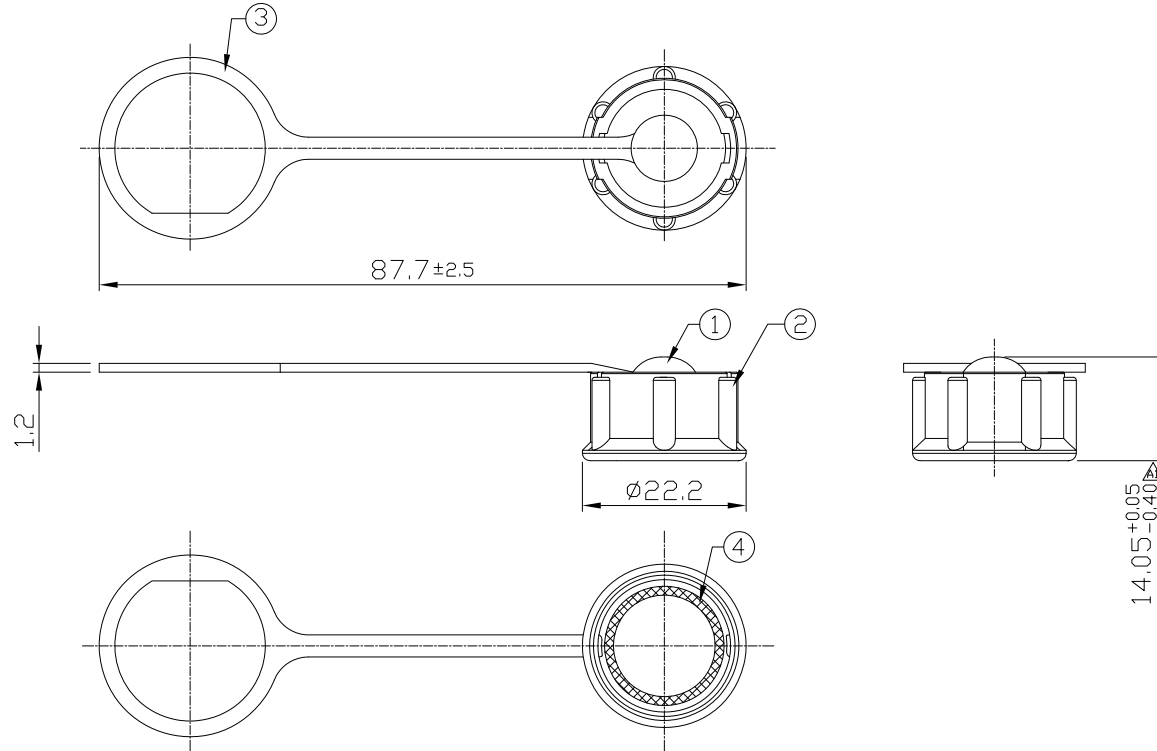
4

Notes: (Unless Otherwise Specified)

- 1. Waterproof Rate : IP67.
- 2. RoHS Compliance.

REV	ECN#	DESCRIPTION OF REVISION	DRAW BY DATE	CHECK BY DATE	APPROVE BY DATE
A3	ECN-200629	Change The Material Of Rubber Chain, TPE → NBR.	Aileen 08/11/20	Lucas 08/11/20	Ray 08/11/20

GTC
DOC.CENTER.ISSUE
AUG.12.2020
ONLY FOR
RELEASE



Item	Part Name	Material / Finish	Q'TY
4	O-Ring	Silicone Color: Red	1
3	Rubber Chain	NBR Color: Black	1
2	Lock Cap	Thermal Plastic Color: Black	1
1	Plastic Rivet	Thermal Plastic Color: Black	1

△A3

TITLE Cap Plastic For C3 Lock Panel With Rubber Chain						DRAWING NUMBER GT1C532122		REV. A3	
THIRD ANGLE PROJECTION	SIZE B	SCALE 1:1	DRAW / DATE Karen 07/16/09	CHECK / DATE Ray 07/16/09	APPROVE / DATE Ray 07/16/09	TOLERANCES X.X ± 0.5 X.XX ± 0.2	ANGLES X.XXX ± 0.05 ± 1°	UNIT mm	SHEET 1/1

GT Contact CO.,LTD

NOTICE OF PROPRIETARY PROPERTY:

THE INFORMATION CONTAINED HEREIN IS THE PROPRIETARY PROPERTY OF GT Contact CO.,LTD THE POSSESSOR AGREES TO THE FOLLOWING:

- (i) TO MAINTAIN THIS DOCUMENT IN CONFIDENCE
- (ii) NOT TO REPRODUCE OR COPY IT
- (iii) NOT TO REVEAL OR PUBLISH IT IN WHOLE OR PART
- (iv) ALL RIGHTS RESERVED

1

2

3

4