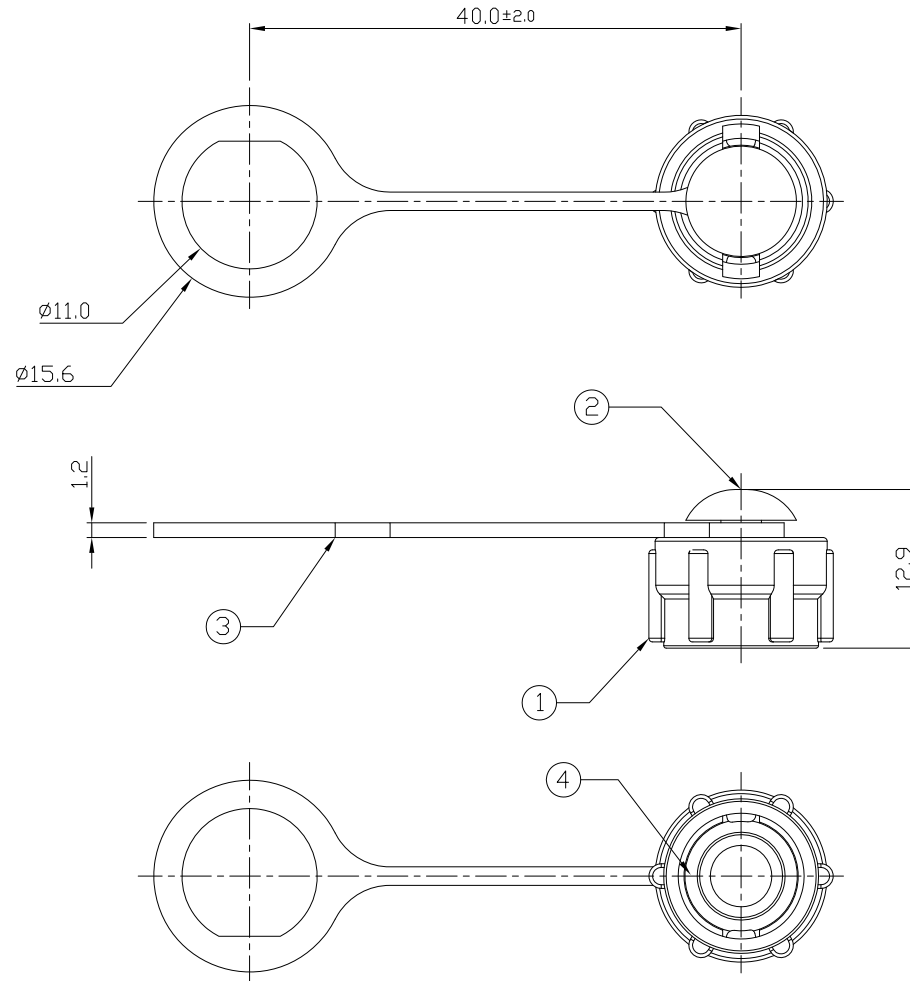


Notes: (Unless Otherwise Specified)

1. Waterproof Rate : IP67.
2. RoHS Compliant.

REV	ECN#	DESCRIPTION OF REVISION	DRAW BY DATE	CHECK BY DATE	APPROVE BY DATE
A1	ECN-200919	Change The Material Of Rubber Chain, TPE -> NBR.	Aileen 09/21/20	Lucas 09/21/20	Ray 09/21/20



Item	Part Name	Material / Finish	Q'ty
4	O-Ring	Silicone Color: Red	1
3	Rubber Chain	NBR Color: Black	1
2	Rivet	Thermoplastic Color: Black	1
1	Lock Cap	Thermoplastic Color: Black	1

△A1

GTC
DOC.CENTER.ISSUE
SEP.23.2020
ONLY FOR
RELEASE

TITLE Cap Plastic For C1 Lock Panel With Rubber Chain						DRAWING NUMBER GT1C512122			REV. A1	
THIRD ANGLE PROJECTION	SIZE B	SCALE 1:1	DRAW / DATE Vicky 02/22/11	CHECK / DATE Ray 02/22/11	APPROVE / DATE Ray 02/22/11	TOLERANCES X.X ± 0.5 X.XX ± 0.2 X.XXX ± 0.05 ANGLES ± 1°		UNIT mm	SHEET 1/1	

GT Contact CO.,LTD

NOTICE OF PROPRIETARY PROPERTY:
THE INFORMATION CONTAINED HEREIN IS THE PROPRIETARY PROPERTY OF GT Contact CO.,LTD THE POSSESSOR AGREES TO THE FOLLOWING:
(i) TO MAINTAIN THIS DOCUMENT IN CONFIDENCE
(ii) NOT TO REPRODUCE OR COPY IT
(iii) NOT TO REVEAL OR PUBLISH IT IN WHOLE OR PART
(iv) ALL RIGHTS RESERVED