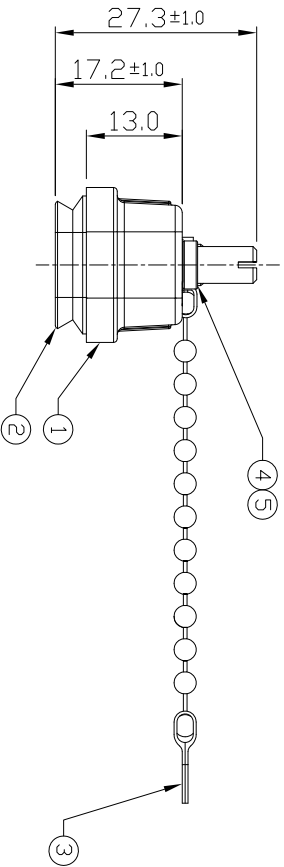
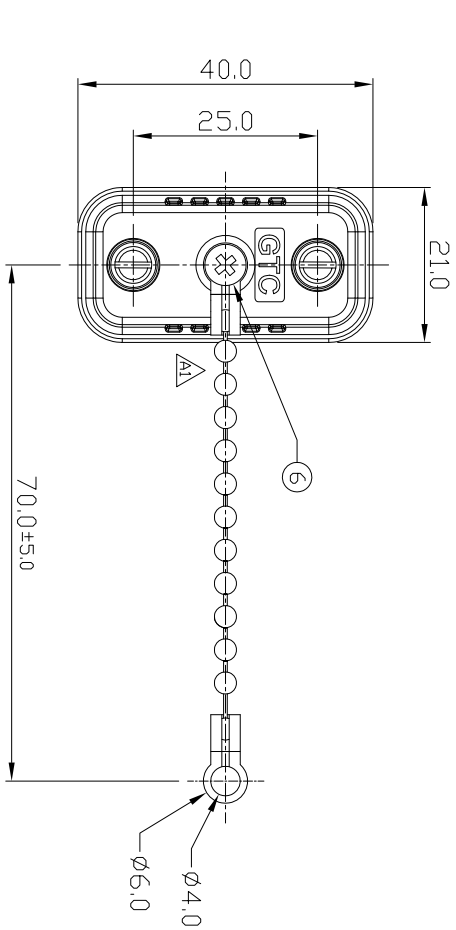


- Notes: (Unless Otherwise Specified)
1. Waterproof Rate: IP67.
 2. Recommend Torque: 2.5 to 3.0 kgf-cm.
 3. RoHS Compliant.

REV	ECN#	DESCRIPTION OF REVISION	DRAW BY DATE	CHECK BY DATE	APPROVE BY DATE
A0	ECN-130209	Mass Production	Joyce 02/20/13	Lucas 02/20/13	Roy 02/20/13
A1	ECN-140101	Marked $\triangle A1$	Joyce 01/13/14	Lucas 01/13/14	Roy 01/13/14

GTC
DOC.CENTER.ISSUE
JAN.17.2014
ONLY FOR
RELEASE



Item	Part Name	Material / Finish	Qty
6	Tapping Screw	Stainless Finish-	1
5	Gasket	EPDM Color: Black	2
4	Machine Screw	Stainless Finish-	2
3	Metal Chain	Stainless Finish-	1
2	Rubber Pad	EPDM Color: Black	1
1	Housing	Thermoplastic Color: Black	1

TITLE
Cap Plastic For D-SUB Stainless Screw Panel With Metal Chain

DRAWING NUMBER
GT1C414012

REV.
A1

THIRD ANGLE PROJECTION	SIZE	SCALE	DRAW / DATE	CHECK / DATE	APPROVE / DATE	TOLERANCES	UNIT	SHEET
	B	1:1	Joyce 02/20/13	Lucas 02/20/13	Roy 02/20/13	XX ± 0.5 XXXX ANGLES ± 1°	mm	1/1

GT Contact CD,LTD

NOTICE OF PROPRIETARY PROPERTY:
THE INFORMATION CONTAINED HEREIN IS THE PROPRIETARY PROPERTY OF GT Contact CD,LTD THE POSSESSOR AGREES TO MAINTAIN THIS DOCUMENT IN CONFIDENCE AND NOT TO REPRODUCE OR PUBLISH IT IN WHOLE OR PART (W) ALL RIGHTS RESERVED

1

2

3

4