

1

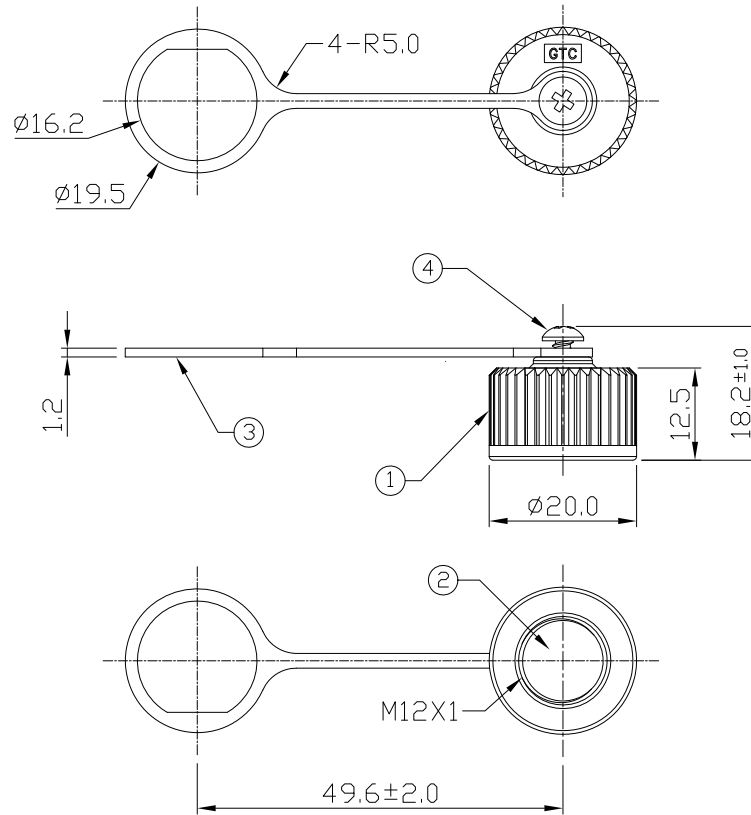
2

3

4

Notes: (Unless Otherwise Specified)  
 1. Waterproof Rate: IP67.  
 2. RoHS & REACH Compliant.

REV	ECN#	DESCRIPTION OF REVISION	DRAW BY DATE	CHECK BY DATE	APPROVE BY DATE
A0		Mass Production	Joyce 11/01/16	Lucas 11/01/16	Ray 11/01/16



Item	Part Name	Material / Finish	Q'ty
4	Tapping Screw	SUS303 Finish: -	1
3	Plastic Chain	Thermoplastic Color: Black	1
2	Rubber Pad	Viton Color: Black	1
1	Screw Cap	Thermoplastic Color: Black	1

TITLE						DRAWING NUMBER			REV.
Cap Plastic For M12 Male End With C2 Plastic Chain						GT1C343182			A0
THIRD ANGLE PROJECTION	SIZE	SCALE	DRAW / DATE	CHECK / DATE	APPROVE / DATE	TOLERANCES	UNIT	SHEET	
	B	1:1	Joyce 11/01/16	Lucas 11/01/16	Ray 11/01/16	X.X ± 0.5 X.XX ± 0.2	mm	1/1	
						X.XXX ± 0.05 ANGLES ± 1°			

GT Contact CO.,LTD

NOTICE OF PROPRIETARY PROPERTY:  
 THE INFORMATION CONTAINED HEREIN IS THE PROPRIETARY PROPERTY OF GT CONTACT CO.,LTD THE POSSESSOR AGREES TO THE FOLLOWING:  
 (i) TO MAINTAIN THIS DOCUMENT IN CONFIDENCE  
 (ii) NOT TO REPRODUCE OR COPY IT  
 (iii) NOT TO REVEAL OR PUBLISH IT IN WHOLE OR PART  
 (iv) ALL RIGHTS RESERVED

1

2

3

4