

1

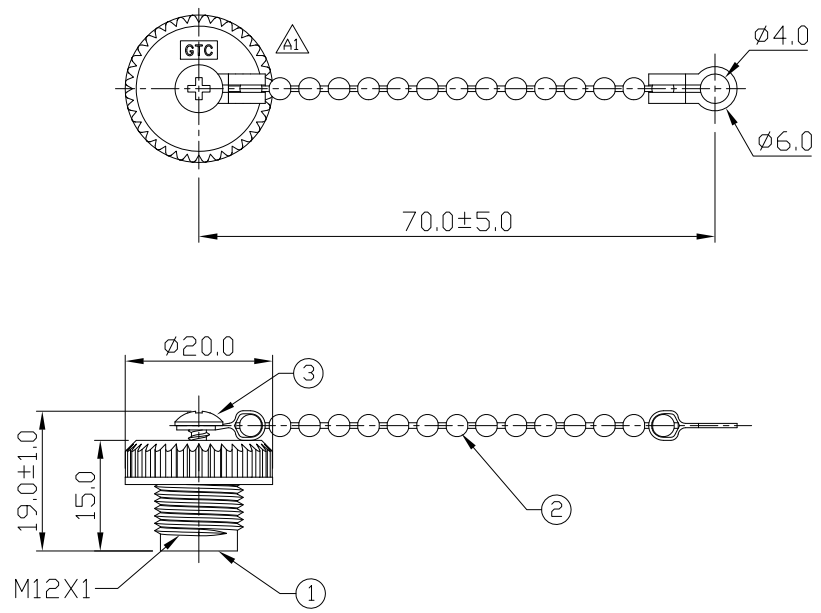
2

3

4

Notes: (Unless Otherwise Specified)
 1. Waterproof Rate : IP67.
 2. RoHS&REACH Compliant.

REV	ECN#	DESCRIPTION OF REVISION	DRAW BY DATE	CHECK BY DATE	APPROVE BY DATE
A0		Mass Production	Joyce 07/30/13	Lucas 07/30/13	Ray 07/30/13
A1	ECN-140101	Marked Δ 1	Joyce 01/13/14	Lucas 01/13/14	Ray 01/13/14



GTC
 DOC.CENTER.ISSUE
 JAN.17.2014
 ONLY FOR
 RELEASE

Item	Part Name	Material / Finish	Q'ty
3	Tapping Screw	Stainless Finish:-	1
2	Metal Chain	Stainless Finish:-	1
1	Screw Cap	Thermoplastic Color: Black	1

TITLE						DRAWING NUMBER			REV.
Cap Plastic For M12 Female End With Metal Chain (M3 Screw)						GT1C343062			A1
THIRD ANGLE PROJECTION	SIZE	SCALE	DRAW / DATE	CHECK / DATE	APPROVE / DATE	TOLERANCES		UNIT	SHEET
	B	1:1	Joyce 07/30/13	Lucas 07/30/13	Ray 07/30/13	X.X ± 0.5 X.XX ± 0.2	X.XXX ± 0.05 ANGLES ± 1°	mm	1/1

GT Contact CO.,LTD

NOTICE OF PROPRIETARY PROPERTY:
 THE INFORMATION CONTAINED HEREIN IS THE PROPRIETARY PROPERTY OF GT Contact CO.,LTD THE POSSESSOR AGREES TO THE FOLLOWING:
 (a) TO MAINTAIN THIS DOCUMENT IN CONFIDENCE
 (b) NOT TO REPRODUCE OR COPY IT
 (c) NOT TO REVEAL OR PUBLISH IT IN WHOLE OR PART
 (d) ALL RIGHTS RESERVED

1

2

3

4