

4

3

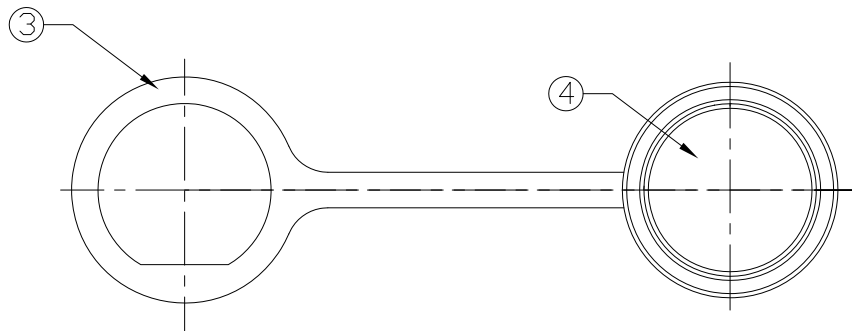
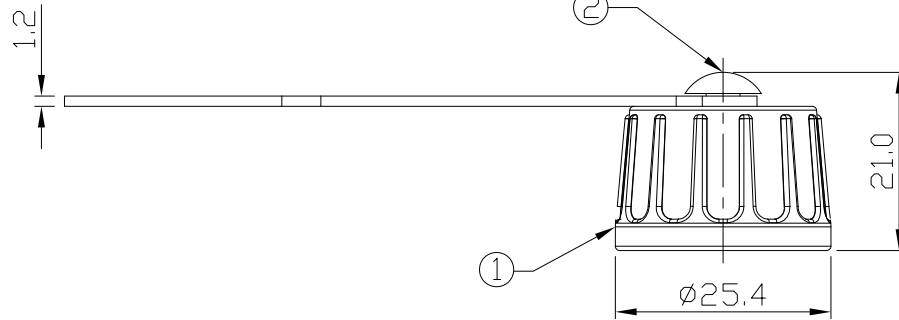
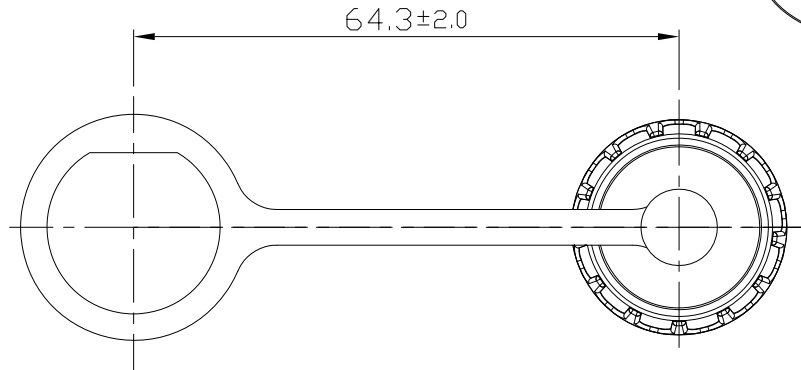
2

1

Notes: (Unless Otherwise Specified)

1. Waterproof Rate : IPX7(Mating).
2. RoHS Compliance.

GTC
DOC.CENTER.ISSUE
AUG.12.2020
ONLY FOR
RELEASE



REV	ECN#	DESCRIPTION OF REVISION	DATE
A1	ECN-200629	Change The Material Of Rubber Chain, Thermal Plastic → NBR.	081120

Item	Part Name	Material/Finish	Q'ty
1	Screw Cap	Thermal Plastic Color: Black	1
2	Rivet	Thermal Plastic Color: Black	1
3	Rubber Chain	NBR Color: Black	1
4	Rubber Pad	Silicone Color: Black	2



METRIC

GT Contact CO.,LTD

DRAFTER	DATE
David	06/29/10
APPROVED	DATE
Ray	06/29/10

NOTICE OF PROPRIETARY PROPERTY:
THE INFORMATION CONTAINED HEREIN IS THE PROPRIETARY
PROPERTY OF GT Contact CO.,LTD. THE POSSESSOR AGREES
TO THE FOLLOWING:
(a) TO MAINTAIN THIS DOCUMENT IN CONFIDENCE
(b) NOT TO REPRODUCE OR COPY IT
(c) NOT TO REVEAL OR PUBLISH IT IN WHOLE OR PART
(d) ALL RIGHTS RESERVED

DIMENSIONS ARE IN MILLIMETER
TOLERANCES

X.X	±0.5
X.XX	±0.20
X.XXX	±0.05
ANGLES	±2°
DO NOT SCALE DRAWINGS	

TITLE

RJ45 C3 Waterproof Cap
With Rubber Chain For Panel
Plastic

DRAWING NUMBER

GT1C213122

REV.

A1



SIZE
B

SCALE

1:1

SHT 1 OF 1

4

3

2