

1

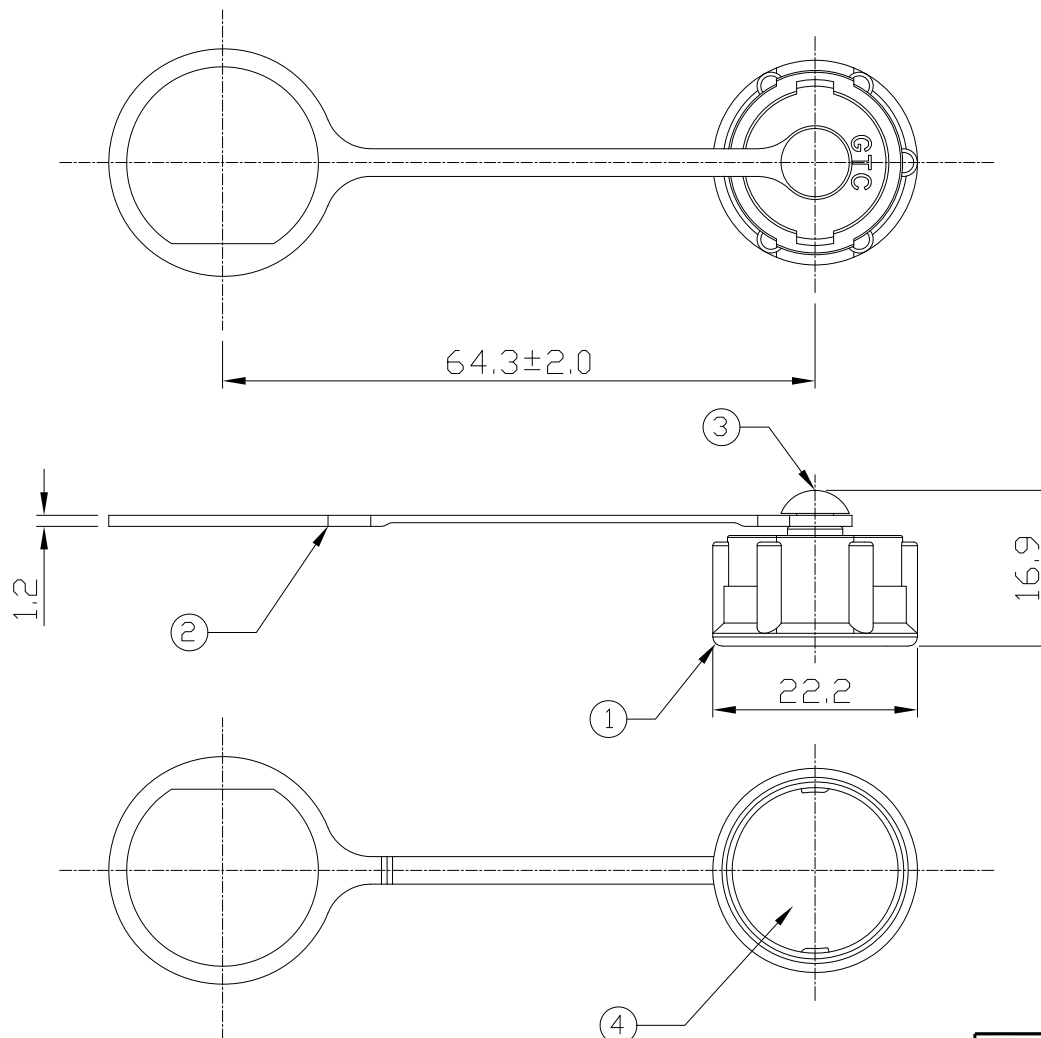
2

3

4

Notes: (Unless Otherwise Specified)
 1. Waterproof Rate: IP67.
 2. RoHS&REACH Compliant.

REV	ECN#	DESCRIPTION OF REVISION	DRAW BY DATE	CHECK BY DATE	APPROVE BY DATE
01			Lucas 02/14/17	Lucas 02/14/17	Ray 02/14/17



GTC
 DOC.CENTER.ISSUE
 JUN.08.2017
 ONLY FOR
 RELEASE

Item	Part Name	Material / Finish	Q'ty
4	Rubber Pad	Silicone Color: Black	1
3	Plastic Rivet	Thermoplastic Color: Black	1
2	Plastic Chain	Nylon Lanyard Color: Black	1
1	Lock Cap	Thermoplastic Color: Black	1

TITLE						DRAWING NUMBER			REV.	
Cap Plastic For USB C3 Lock Panel With Plastic Chain(Right D-Cut)						GT1C131052			01	
THIRD ANGLE PROJECTION	SIZE	SCALE	DRAW / DATE	CHECK / DATE	APPROVE / DATE	TOLERANCES	UNIT	SHEET		
	B	1:1	Lucas 02/14/17	Lucas 02/14/17	Ray 02/14/17	X.X ± 0.5 X.XX ± 0.2	mm	1/1		
						X.XXX ± 0.05 ANGLES ± 1°				

GT Contact CO.,LTD

NOTICE OF PROPRIETARY PROPERTY:
 THE INFORMATION CONTAINED HEREIN IS THE PROPRIETARY PROPERTY OF GT Contact CO.,LTD THE POSSESSOR AGREES TO THE FOLLOWING:
 (i) TO MAINTAIN THIS DOCUMENT IN CONFIDENCE
 (ii) NOT TO REPRODUCE OR COPY IT
 (iii) NOT TO REVEAL OR PUBLISH IT IN WHOLE OR PART
 (iv) ALL RIGHTS RESERVED

1

2

3

4