

1

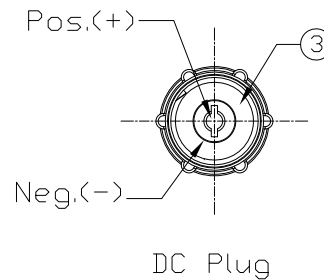
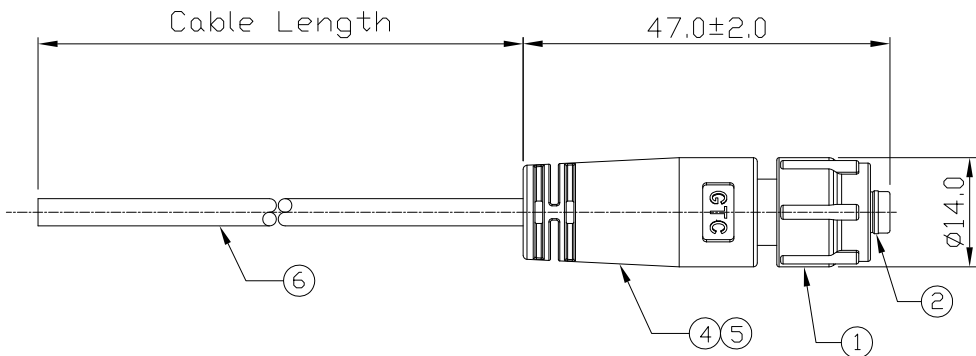
2

3

4

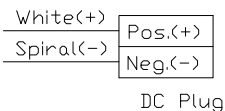
REV	ECN#	DESCRIPTION OF REVISION	DRAW BY DATE	CHECK BY DATE	APPROVE BY DATE
01			Viola 03/05/18	Lucas 03/05/18	Ray 03/05/18

Note:
 1. Waterproof Rate: IP67.
 2. RoHS Compliant.



GTC
 DOC.CENTER.ISSUE
 MAR.09.2018
 ONLY FOR
 RELEASE

Item	Part Name	Material / Finish	Q'ty
6	Cable	UL1185 18AWG*1C+Spiral, DD=3.5mm Color: Black	1
5	Over Mold	PVC Color: Black	1
4	Inner Mold	PVC Color: Black	1
3	Rubber Pad	Silicone Color: Black	1
2	DC Plug	Housing: Thermoplastic; Color: Black Neg. Terminal: Copper Alloy; Finish: Ni Plated Pos. Terminal: Copper Alloy; Finish: Ni Plated	1
1	Screw Nut	Thermoplastic Color: Black	1



Wiring Diagram

GT1B2700-10	10000 mm	+500
GT1B2700-09	9000 mm	+450
GT1B2700-08	8000 mm	+400
GT1B2700-07	7000 mm	+150
GT1B2700-06	6000 mm	+150
GT1B2700-05	5000 mm	+150
GT1B2700-04	4000 mm	+150
GT1B2700-03	3000 mm	+100
GT1B2700-02	2000 mm	+100
GT1B2700-01	1000 mm	+50
GT1B2700-Z9	900 mm	+50
GT1B2700-Z8	800 mm	+50
GT1B2700-Z7	700 mm	+50
GT1B2700-Z6	600 mm	+50
GT1B2700-Z5	500 mm	+50
GT1B2700-Z4	400 mm	+50
GT1B2700-Z3	300 mm	+25
GT1B2700-Z2	200 mm	+25
Part No.	Cable Length	Tol.

TITLE						DRAWING NUMBER			REV.
DC Plug 2.0mm Cable end With Cable						GT1B2700-XX			01
DD NOT SCALE DRAWINGS	B	1:1	Viola 03/05/18	Lucas 03/05/18	Ray 03/05/18	X.X ± 0.5 X.XX ± 0.2	X.XXX ± 0.05 ANGLES ± 1°	mm	1/1
THIRD ANGLE PROJECTION	SIZE	SCALE	DRAW / DATE	CHECK / DATE	APPROVE / DATE	TOLERANCES		UNIT	SHEET

GT Contact CO.,LTD

NOTICE OF PROPRIETARY PROPERTY:
 THE INFORMATION CONTAINED HEREIN IS THE PROPRIETARY PROPERTY OF GT Contact CO.,LTD THE POSSESSOR AGREES TO THE FOLLOWING:
 (a) TO MAINTAIN THIS DOCUMENT IN CONFIDENCE
 (b) NOT TO REPRODUCE OR COPY IT
 (c) NOT TO REVEAL OR PUBLISH IT IN WHOLE OR PART
 (d) ALL RIGHTS RESERVED

1

2

3

4