

1

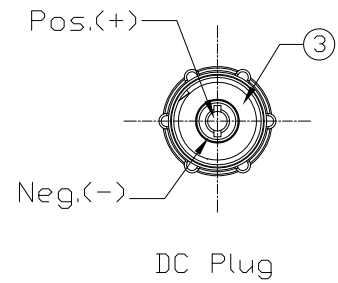
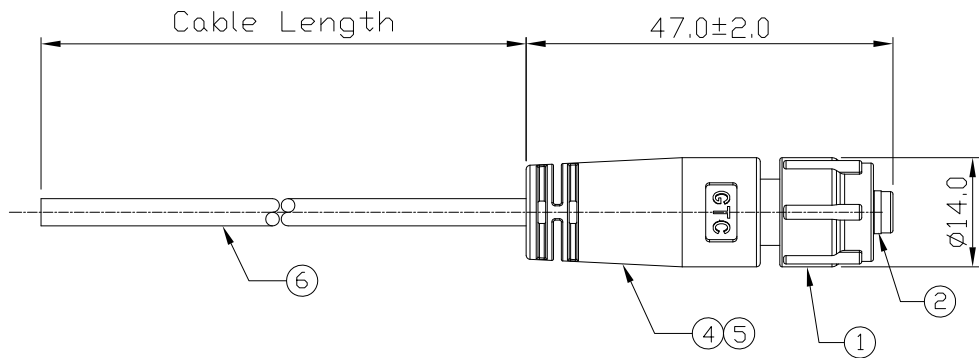
2

3

4

REV	ECN#	DESCRIPTION OF REVISION	DRAW BY DATE	CHECK BY DATE	APPROVE BY DATE
01			Lucas 11/30/16	Ray 11/30/16	Ray 11/30/16

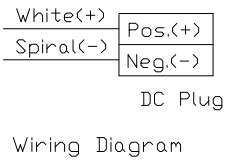
Notes: (Unless Otherwise Specified)
 1. Waterproof Rate: IP67.
 2. RoHS&REACH Compliant.



GTC
 DOC.CENTER.ISSUE
 APR.27.2017
 ONLY FOR
 RELEASE

GT1B0700-10	10000 mm	+500
GT1B0700-09	9000 mm	+450
GT1B0700-08	8000 mm	+400
GT1B0700-07	7000 mm	+150
GT1B0700-06	6000 mm	+150
GT1B0700-05	5000 mm	+150
GT1B0700-04	4000 mm	+150
GT1B0700-03	3000 mm	+100
GT1B0700-02	2000 mm	+100
GT1B0700-01	1000 mm	+50
GT1B0700-Z9	900 mm	+50
GT1B0700-Z8	800 mm	+50
GT1B0700-Z7	700 mm	+50
GT1B0700-Z6	600 mm	+50
GT1B0700-Z5	500 mm	+50
GT1B0700-Z4	400 mm	+50
GT1B0700-Z3	300 mm	+25
GT1B0700-Z2	200 mm	+25
Part No.	Cable Length	Tol.

6	Cable	UL1185 18AWG*1C+Spiral, DD=3.5mm Color: Black	1
5	Over Mold	PVC Color: Black	1
4	Inner Mold	PVC Color: Black	1
3	Rubber Pad	Silicone Color: Black	1
2	DC Plug	Housing: Thermoplastic; Color: Black Neg. Terminal: Copper Alloy; Finish: Ni Plated Pos. Terminal: Copper Alloy; Finish: Ni Plated	1
1	Screw Nut	Thermoplastic Color: Black	1
Item	Part Name	Material / Finish	Q'ty



TITLE						DRAWING NUMBER			REV.
DC Plug 2.5mm Cable end With Cable						GT1B0700-XX			01
THIRD ANGLE PROJECTION	SIZE	SCALE	DRAW / DATE	CHECK / DATE	APPROVE / DATE	TOLERANCES	UNIT	SHEET	
	B	1:1	Lucas 11/30/16	Ray 11/30/16	Ray 11/30/16	X.X ± 0.5 X.XX ± 0.2	X.XXX ± 0.05 ANGLES ± 1°	mm 1/1	

GT Contact CO.,LTD

NOTICE OF PROPRIETARY PROPERTY:
 THE INFORMATION CONTAINED HEREIN IS THE PROPRIETARY PROPERTY OF GT Contact CO.,LTD THE POSSESSOR AGREES TO THE FOLLOWING:
 (a) TO MAINTAIN THIS DOCUMENT IN CONFIDENCE
 (b) NOT TO REPRODUCE OR COPY IT
 (c) NOT TO REVEAL OR PUBLISH IT IN WHOLE OR PART
 (d) ALL RIGHTS RESERVED

1

2

3

4