

1

2

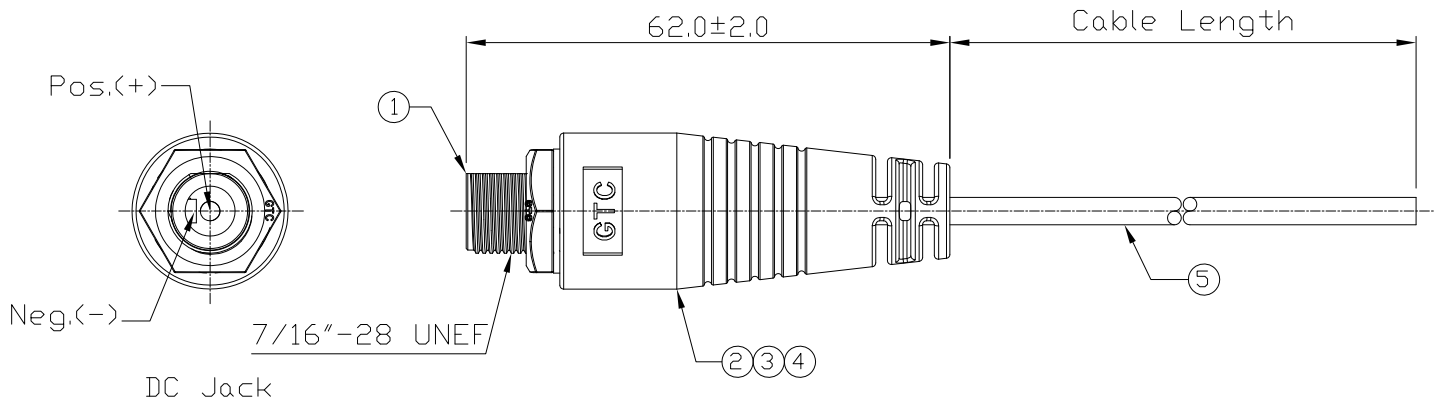
3

4

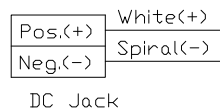
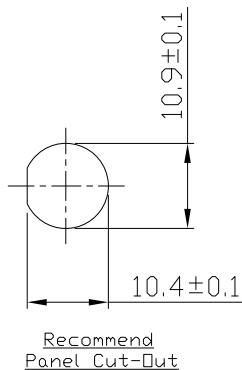
REV	ECN#	DESCRIPTION OF REVISION	DRAW BY DATE	CHECK BY DATE	APPROVE BY DATE
A0		Mass Production	Lucas 09/15/14	Ray 09/15/14	Ray 09/15/14

Notes: (Unless Otherwise Specified)  
 1. Waterproof Rate: IP67.  
 2. Recommend Panel Thickness: 0.8 to 2.0 mm.  
 3. Recommend Torque: 6.0~7.0 Kgf-cm.  
 4. Mating Cap P/N: GT1C5131X2.  
 5. RoHS Compliant.

GTC  
 DOC.CENTER.ISSUE  
 APR.27.2017  
 ONLY FOR  
 RELEASE



GT1B0400-10	10000 mm	±500
GT1B0400-09	9000 mm	±450
GT1B0400-08	8000 mm	±400
GT1B0400-07	7000 mm	±150
GT1B0400-06	6000 mm	±150
GT1B0400-05	5000 mm	±150
GT1B0400-04	4000 mm	±150
GT1B0400-03	3000 mm	±100
GT1B0400-02	2000 mm	±100
GT1B0400-01	1000 mm	±50
GT1B0400-Z9	900 mm	±40
GT1B0400-Z8	800 mm	±40
GT1B0400-Z7	700 mm	±40
GT1B0400-Z6	600 mm	±40
GT1B0400-Z5	500 mm	±40
GT1B0400-Z4	400 mm	±20
GT1B0400-Z3	300 mm	±20
GT1B0400-Z2	200 mm	±10
Part No.	Cable Length	Tol.



5	Cable	UL1185 18AWG*1C+Spiral, DD=3.5mm Color: Black	1
4	Over Mold	PVC Color: Black	1
3	Inner Mold	Thermoplastic Color: White or Black	1
2	Shrink Tube	L=20mm Color: Black	2
1	DC Jack Panel	GT Contact P/N: GT1B0102	1
Item	Part Name	Material / Finish	Q'ty

TITLE DC Jack C to C With Cable						DRAWING NUMBER GT1B0400-XX			REV. A0	
THIRD ANGLE PROJECTION		SIZE B	SCALE 1:1	DRAW / DATE Lucas 09/15/14	CHECK / DATE Ray 09/15/14	APPROVE / DATE Ray 09/15/14	TOLERANCES X.X ± 0.5 X.XXX ± 0.05 X.XX ± 0.2 ANGLES ± 1°		UNIT mm	SHEET 1/1

GT Contact CO.,LTD  
 NOTICE OF PROPRIETARY PROPERTY:  
 THE INFORMATION CONTAINED HEREIN IS THE PROPRIETARY PROPERTY OF GT Contact CO.,LTD THE POSSESSOR AGREES TO THE FOLLOWING:  
 (a) TO MAINTAIN THIS DOCUMENT IN CONFIDENCE  
 (b) NOT TO REPRODUCE OR COPY IT  
 (c) NOT TO REVEAL OR PUBLISH IT IN WHOLE OR PART  
 (d) ALL RIGHTS RESERVED

1

2

3

4