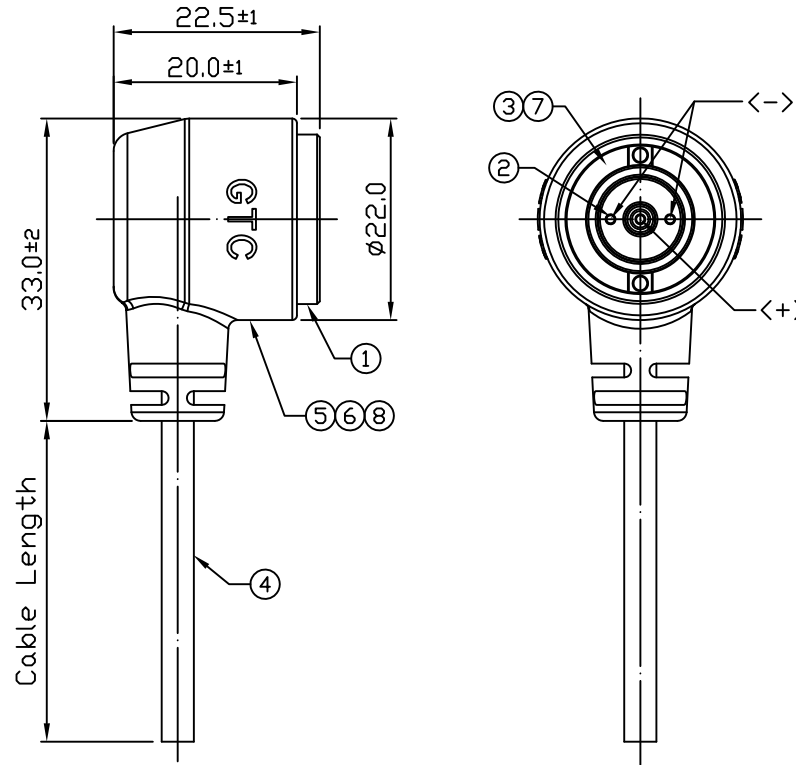


Notes: (Unless Otherwise Specified)
 1. DWV: 500 Vrms
 2. Rated Voltage: 30V AC/DC
 3. Insulation Resistance: 100 MΩ MIN.
 4. RoHS Compliant.

REV	ECN#	DESCRIPTION OF REVISION	DRAW BY DATE	CHECK BY DATE	APPROVE BY DATE
02	ECN-200123	△ ₀₂ Modify Item No.7 Steel Sheet Material SUS --> SUS430	Hank 01/30/20	Lucas 01/30/20	Ray 01/30/20

GTC
 DOC.CENTER.ISSUE
 FEB.03.2020
 ONLY FOR
 RELEASE



8	Wire	UL1007 18AWG Color: Black	1
7	Steel Sheet	SUS430 Finish: -	2
6	Over Mold	PVC Color: Black	1
5	Inner Mold	Thermoplastic Color: White or Black	1
4	Cable	UL1185 18AWG*1C+Spiral OD=3.5mm, Color: Black	1
3	Magnet	Nd-Fe-B N50 Finish: Ni	2
2	Contacts	Copper Alloy Finish: Au Plated	3
1	Housing	Thermoplastic Color: Black	1
Item	Part Name	Material / Finish	Q'ty

GT193119-02021-10	10000mm	+500
GT193119-02021-09	9000mm	+450
GT193119-02021-08	8000mm	+400
GT193119-02021-07	7000mm	+150
GT193119-02021-06	6000mm	+150
GT193119-02021-05	5000mm	+150
GT193119-02021-04	4000mm	+150
GT193119-02021-03	3000mm	+100
GT193119-02021-02	2000mm	+100
GT193119-02021-01	1000mm	+50
GT193119-02021-Z9	900mm	+50
GT193119-02021-Z8	800mm	+50
GT193119-02021-Z7	700mm	+50
GT193119-02021-Z6	600mm	+50
GT193119-02021-Z5	500mm	+50
GT193119-02021-Z4	400mm	+50
GT193119-02021-Z3	300mm	+25
GT193119-02021-Z2	200mm	+25
Part No.	Cable Length	Tol.

Wiring Diagram

TITLE						DRAWING NUMBER			REV.	
5A 2 Contacts Cable End 90° With Cable						GT193119-02021-XX			02	
	B	1:1	Hank 12/14/17	Lucas 12/14/17	Ray 12/14/17	X.X ± 0.5	X.XXX ± 0.05	mm	1/1	
THIRD ANGLE PROJECTION	SIZE	SCALE	DRAW / DATE	CHECK / DATE	APPROVE / DATE	TOLERANCES		UNIT	SHEET	

GT Contact CO.,LTD

NOTICE OF PROPRIETARY PROPERTY:
 THE INFORMATION CONTAINED HEREIN IS THE PROPRIETARY PROPERTY OF GT Contact CO.,LTD THE POSSESSOR AGREES TO THE FOLLOWING:
 (1) TO MAINTAIN THIS DOCUMENT IN CONFIDENCE
 (2) NOT TO REPRODUCE OR COPY IT
 (3) NOT TO REVEAL OR PUBLISH IT IN WHOLE OR PART
 (4) ALL RIGHTS RESERVED