

1

2

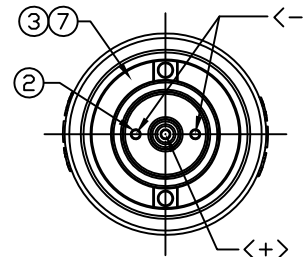
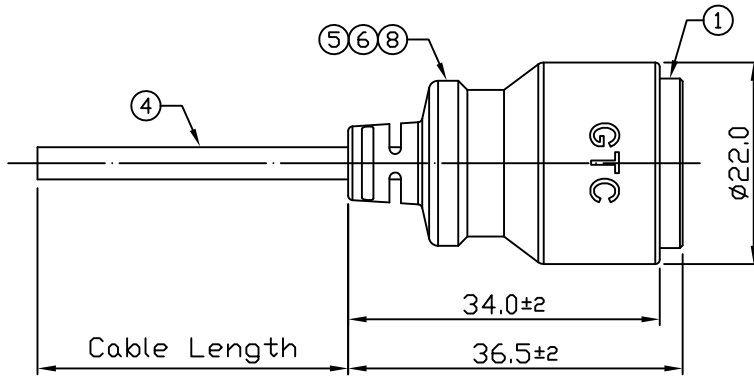
3

4

Notes: (Unless Otherwise Specified)

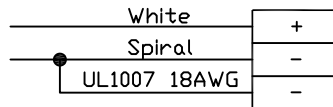
- 1. DWV: 500 Vrms
- 2. Rated Voltage: 30V AC/DC
- 3. Insulation Resistance: 100 MΩ MIN.
- 4. RoHS Compliant.

REV	ECN#	DESCRIPTION OF REVISION	DRAW BY DATE	CHECK BY DATE	APPROVE BY DATE
02	ECN-200123	Modify Item No.7 Steel Sheet Material SUS --> SUS430	Hank 01/30/20	Lucas 01/30/20	Ray 01/30/20



GTC
DOC.CENTER.ISSUE
FEB.03.2020
ONLY FOR
RELEASE

Item	Part Name	Material / Finish	Q'ty
8	Wire	UL1007 18AWG Color: Black	1
7	Steel Sheet	SUS430 Finish: -	2
6	Over Mold	PVC Color: Black	1
5	Inner Mold	Thermoplastic Color: White or Black	1
4	Cable	UL1185 18AWG*1C+Spiral OD=3.5mm, Color: Black	1
3	Magnet	Nd-Fe-B N50 Finish: Ni	2
2	Contacts	Copper Alloy Finish: Au Plated	3
1	Housing	Thermoplastic Color: Black	1



Wiring Diagram

GT193110-02021-10	10000mm	+500
GT193110-02021-09	9000mm	+450
GT193110-02021-08	8000mm	+400
GT193110-02021-07	7000mm	+150
GT193110-02021-06	6000mm	+150
GT193110-02021-05	5000mm	+150
GT193110-02021-04	4000mm	+150
GT193110-02021-03	3000mm	+100
GT193110-02021-02	2000mm	+100
GT193110-02021-01	1000mm	+50
GT193110-02021-Z9	900mm	+50
GT193110-02021-Z8	800mm	+50
GT193110-02021-Z7	700mm	+50
GT193110-02021-Z6	600mm	+50
GT193110-02021-Z5	500mm	+50
GT193110-02021-Z4	400mm	+50
GT193110-02021-Z3	300mm	+25
GT193110-02021-Z2	200mm	+25
Part No.	Cable Length	Tol.

GT Contact CO.,LTD

NOTICE OF PROPRIETARY PROPERTY:
THE INFORMATION CONTAINED HEREIN IS THE PROPRIETARY PROPERTY OF GT Contact CO.,LTD THE POSSESSOR AGREES TO THE FOLLOWING:
 (1) TO MAINTAIN THIS DOCUMENT IN CONFIDENCE
 (2) NOT TO REPRODUCE OR COPY IT
 (3) NOT TO REVEAL OR PUBLISH IT IN WHOLE OR PART
 (4) ALL RIGHTS RESERVED

TITLE						DRAWING NUMBER			REV.	
5A 2 Contacts Cable End With Cable						GT193110-02021-XX			02	
	B	1:1	Hank 12/14/17	Lucas 12/14/17	Ray 12/14/17	X.X ± 0.5	X.XXX ± 0.05	mm	1/1	
THIRD ANGLE PROJECTION	SIZE	SCALE	DRAW / DATE	CHECK / DATE	APPROVE / DATE	TOLERANCES		UNIT	SHEET	

1

2

3

4