

1

2

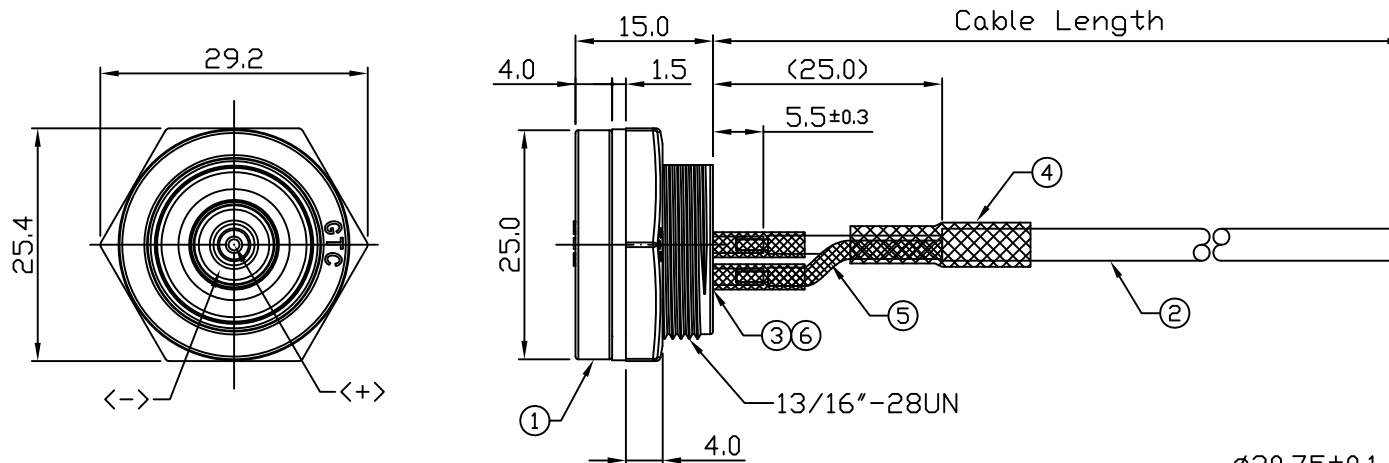
3

4

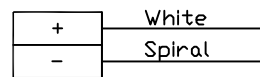
Notes: (Unless Otherwise Specified)

1. Waterproof Rate : IP67
2. Recommend Panel Thickness: 0.8 To 4.0 mm.
3. Recommend Torque: 14~15 Kgf-cm.
4. DWV: 500 Vrms
5. Rated Voltage: 30V AC/DC
6. Insulation Resistance: 100 MΩ MIN.
7. RoHS Compliant.

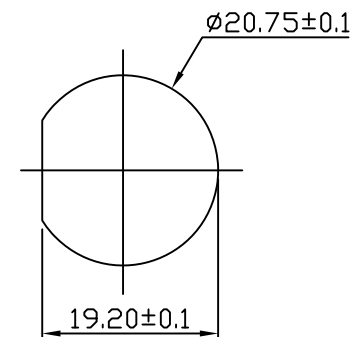
REV	ECN#	DESCRIPTION OF REVISION	DRAW BY DATE	CHECK BY DATE	APPROVE BY DATE
01		PRELIMINARY	Hank 12/18/18	Lucas 12/18/18	Ray 12/18/18



6	Glue	Epoxy Color: Black	
5	Shrink Tube	L=20mm Color: Black	1
4	Shrink Tube	L=20mm Color: Black	1
3	Shrink Tube	L=10mm Color: Black	2
2	Cable	UL1185 18AWG*1C+Spiral OD=3.5mm, Color: Black	1
1	Magnetic 5A Contacts Panel Solder	GT Contact P/N: GT193000-02021-XX	1
Item	Part Name	Material / Finish	Q'ty



Wiring Diagram



Recommend Panel Cut-Out

GT193000-02021-10	10000mm	+500
GT193000-02021-09	9000mm	+450
GT193000-02021-08	8000mm	+400
GT193000-02021-07	7000mm	+150
GT193000-02021-06	6000mm	+150
GT193000-02021-05	5000mm	+150
GT193000-02021-04	4000mm	+150
GT193000-02021-03	3000mm	+100
GT193000-02021-02	2000mm	+100
GT193000-02021-01	1000mm	+50
GT193000-02021-29	900mm	+50
GT193000-02021-28	800mm	+50
GT193000-02021-27	700mm	+50
GT193000-02021-26	600mm	+50
GT193000-02021-25	500mm	+50
GT193000-02021-24	400mm	+50
GT193000-02021-23	300mm	+25
GT193000-02021-22	200mm	+25
Part No.	Cable Length	Tol.

GT Contact CO.,LTD

NOTICE OF PROPRIETARY PROPERTY:

THE INFORMATION CONTAINED HEREIN IS THE PROPRIETARY PROPERTY OF GT Contact CO.,LTD THE POSSESSOR AGREES TO THE FOLLOWING:
 (1) TO MAINTAIN THIS DOCUMENT IN CONFIDENCE
 (2) NOT TO REPRODUCE OR COPY IT
 (3) NOT TO REVEAL OR PUBLISH IT IN WHOLE OR PART
 (4) ALL RIGHTS RESERVED

TITLE						DRAWING NUMBER			REV.	
5A 2 Contacts Panel Solder With Cable						GT193000-02021-XX			01	
	B	1:1	Hank 12/18/18	Lucas 12/18/18	Ray 12/18/18	X.X ± 0.5	X.XXX ± 0.05	mm	1/1	
THIRD ANGLE PROJECTION	SIZE	SCALE	DRAW / DATE	CHECK / DATE	APPROVE / DATE	TOLERANCES		UNIT	SHEET	

1

2

3

4