

1

2

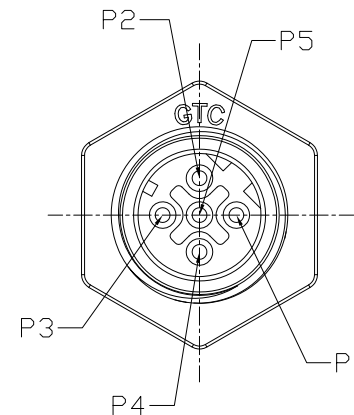
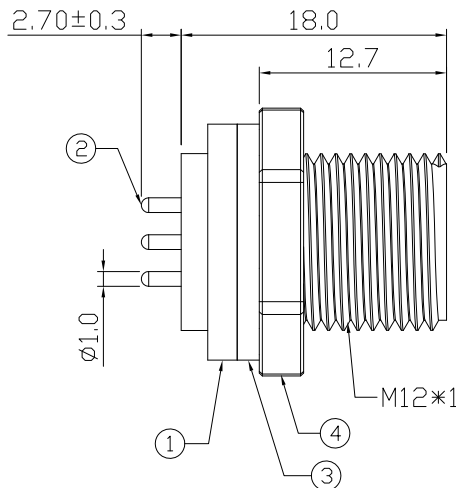
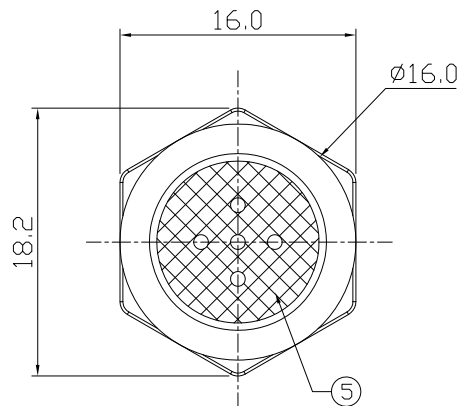
3

4

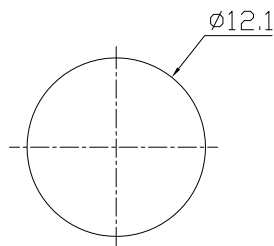
Notes: (Unless Otherwise Specified)

- 1. WaterProof Rate : IP68
- 2. Recommend Panel Thickness: 0.8 to 3.5 mm
- 3. Recommend Torque: 9~10 Kgf-cm
- 4. RoHS Compliant.

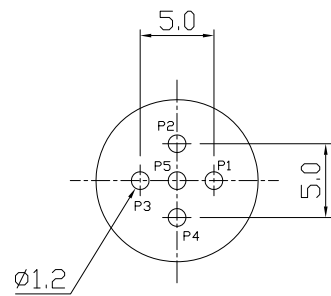
REV	ECN#	DESCRIPTION OF REVISION	DRAW BY DATE	CHECK BY DATE	APPROVE BY DATE
A0			Jenny 12/02/22	Lucas 12/02/22	Ray 12/02/22



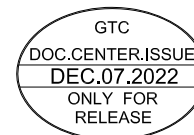
Item	Part Name	Material / Finish	Q'ty
5	Glue	Epoxy Color: Black	
4	Hex Nut	Thermoplastic Color: Black	1
3	Gasket	NBR Color: Black	1
2	Contacts	Copper Alloy Finish: Au Plated	5
1	Housing	Thermoplastic Color: Black	1



Recommend Panel Cut-Out



Recommend PCB Layout



GT Contact CO.,LTD

NOTICE OF PROPRIETARY PROPERTY:
 THE INFORMATION CONTAINED HEREIN IS THE PROPRIETARY PROPERTY OF GT CONTACT CO.,LTD THE POSSESSOR AGREES TO THE FOLLOWING:
 (a) TO MAINTAIN THIS DOCUMENT IN CONFIDENCE
 (b) NOT TO REPRODUCE OR COPY IT
 (c) NOT TO REVEAL OR PUBLISH IT IN WHOLE OR PART
 (d) ALL RIGHTS RESERVED

TITLE						DRAWING NUMBER			REV.
M12 D-Coding Plastic 4A 5P Panel Male Dip						GT171410-11050			A0
THIRD ANGLE PROJECTION	SIZE	SCALE	DRAW / DATE	CHECK / DATE	APPROVE / DATE	TOLERANCES	UNIT	SHEET	
	B	1:1	Jenny 12/02/22	Lucas 12/02/22	Ray 12/02/22	X.X ± 0.5 X.XX ± 0.2	mm	1/1	
						X.XXX ± 0.05 ANGLES ± 1°			

1

2

3

4