

1

2

3

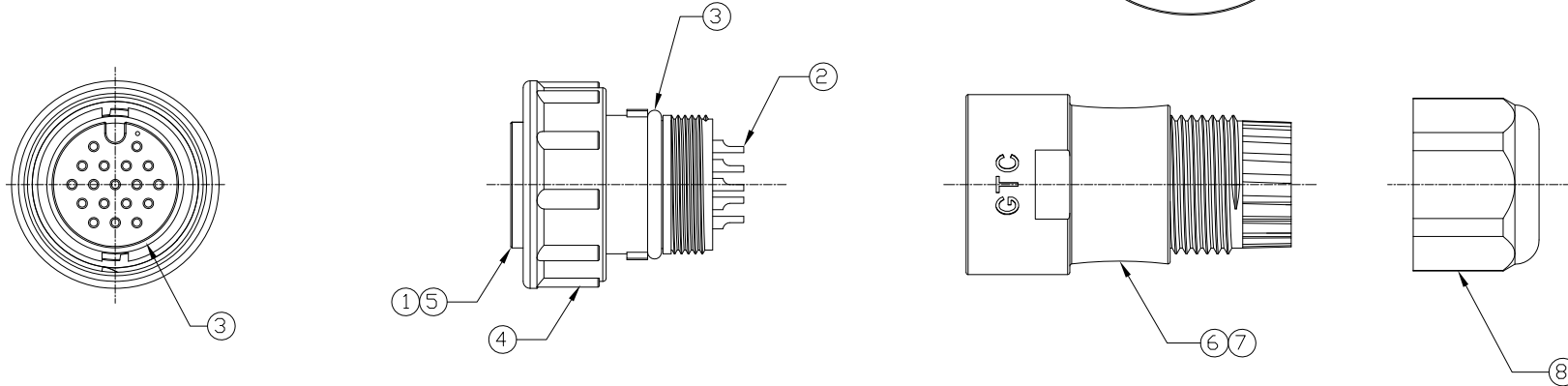
4

REV	ECN#	DESCRIPTION OF REVISION	DRAW BY DATE	CHECK BY DATE	APPROVE BY DATE
A0	ECN-141020	Mass Production	Lucas 11/03/14	Ray 11/03/14	Ray 11/03/14

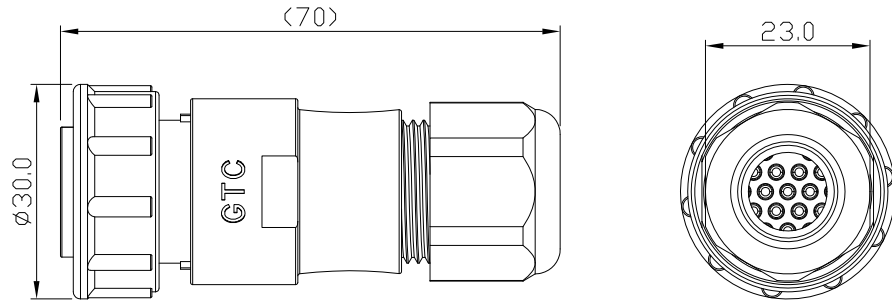
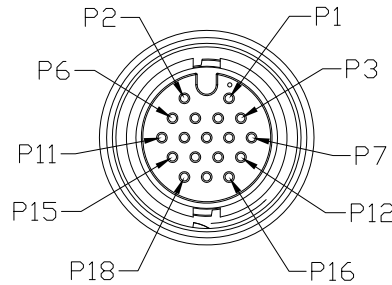
Notes: (Unless Otherwise Specified)

1. Waterproof Rate: IP67.
2. Suitable Cable  $\varnothing$ =7.0mm To 11.0mm.
3. Recommend Cover Torque: 9~10 Kgf-cm.
4. Recommend Gland Nut Torque: 14~15 Kgf-cm.
5. RoHS Compliant.

GTC  
 DOC.CENTER.ISSUE  
 NOV.06.2014  
 ONLY FOR  
 RELEASE



8	Gland Nut	Thermoplastic Color: Black	1
7	Gland	Silicone Color: Black	1
6	Cover	Thermoplastic Color: Black	1
5	Glue	Epoxy Color: Black	
4	Screw Nut	Thermoplastic Color: Black	1
3	O-ring	Silicone Color: Red	2
2	Contacts	Copper Alloy Finish: Au Plated	18
1	Housing	Thermoplastic Color: Black	1
Item	Part Name	Material / Finish	Qty



TITLE C4 5A 18P Field Installable Cable End Female Solder Screw					DRAWING NUMBER GT154364-0218A			REV. A0	
	B	1:1	Lucas 05/20/14	Ray 05/20/14	Ray 05/20/14	XX $\pm 0.5$ X.XX $\pm 0.2$	X.XXX $\pm 0.05$ ANGLES $\pm 1^\circ$	mm	1/1
THIRD ANGLE PROJECTION	SIZE	SCALE	DRAW / DATE	CHECK / DATE	APPROVE / DATE	TOLERANCES		UNIT	SHEET

GT Contact CO.,LTD

NOTICE OF PROPRIETARY PROPERTY:  
 THE INFORMATION CONTAINED HEREIN IS THE PROPRIETARY PROPERTY OF GT Contact CO.,LTD THE POSSESSOR AGREES TO THE FOLLOWING:  
 (i) TO MAINTAIN THIS DOCUMENT IN CONFIDENCE  
 (ii) NOT TO REPRODUCE OR COPY IT  
 (iii) NOT TO REVEAL OR PUBLISH IT IN WHOLE OR PART  
 (iv) ALL RIGHTS RESERVED

1

2

3

4