

NOTES: (UNLESS OTHERWISE SPECIFIED)

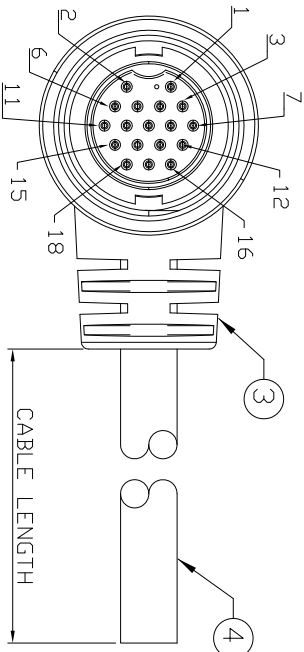
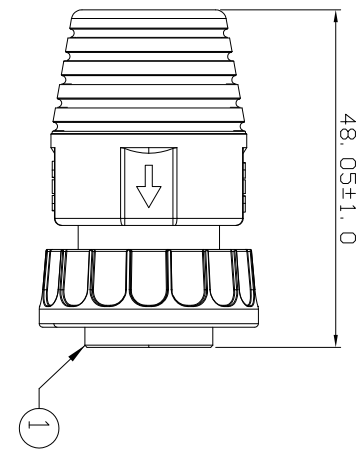
- MATCHING MATES:
GT15430X-X2080
- CABLE LENGTH TOLERANCE:
0 to 1M: ± 40 mm
1 to 10M: ± 5% mm
OVER 10 M: ± 500 mm

PART NO: GT154335-02181-XX

CABLE LENGTH
01: 1 M
02: 2 M
Z3: 30 CM
A0: 100 M

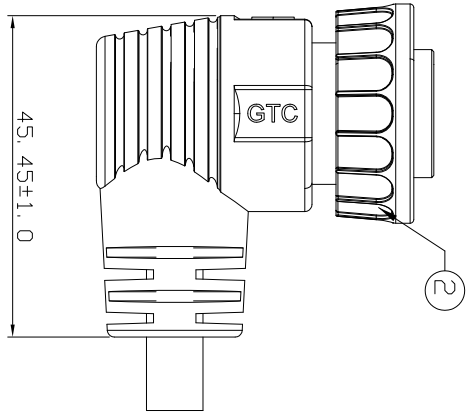
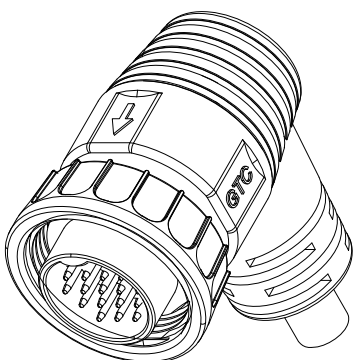
REV	ECNH	DESCRIPTION OF REVISION	
01		PRELIMINARY	061008
02		MARKED	071408
03		MARKED	091508

GTC
R&D DEPT. ISSUE
SEP.16.2008
ONLY FOR
RELEASE



ITEM	MATERIAL
1	HOUSING: THERMAL PLASTIC UL94 V-0 COLDR: BLACK CONTACTS: COPPER ALLOY FINISH: GOLD
2	THERMAL PLASTIC COLDR: BLACK
3	PVC COLDR: BLACK
4	PVC COLDR: BLACK

	RED
1	RED/WHITE
2	GREEN
3	GREEN/WHITE
4	BLUE
5	BLUE/WHITE
6	ORANGE
7	ORANGE/WHITE
8	BROWN
9	BROWN/WHITE
10	YELLOW
11	PURPLE
12	GRAY
13	WHITE
14	GREEN/WHITE
15	PINK
16	BLACK/WHITE
17	BLACK
18	DRAIN



WIRING DIAGRAM

METRIC

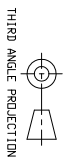
GT Contact CD., LTD

DRAWER	DATE
KAREN	09/16/08
DESIGNER	DATE
ROBBIE	09/16/08

NOTICE OF PROPRIETARY PROPERTY:
THE INFORMATION CONTAINED HEREIN IS THE PROPRIETARY PROPERTY OF GT Contact CD., LTD THE POSSESSOR AGREES TO THE FOLLOWING: THIS DOCUMENT IS CONFIDENTIAL (1) NOT TO BE REPRODUCED OR COPIED (2) NOT TO BE REVEALED OR PUBLISHED IN WHOLE OR PART (3) ALL RIGHTS RESERVED

DIMENSIONS ARE IN MILLIMETERS	
TOLERANCES	
X.X	±0.5
X.XX	±0.20
X.XXX	±0.05
ANGLES ±0.5°	
DO NOT SCALE DRAWINGS	

TITLE	C4 screw plug male nut 90 SA 18P
DRAWING NUMBER	GT154335-02181-XX
SCALE	2:1
REV.	03



SIZE B

SHT	1	OF	1
-----	---	----	---