

NOTES: (UNLESS OTHERWISE SPECIFIED)

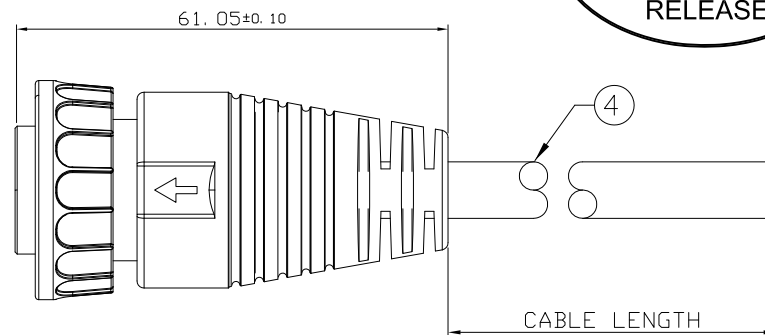
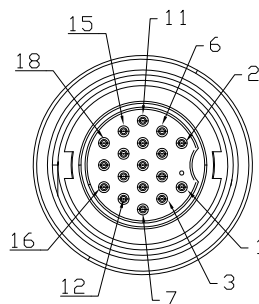
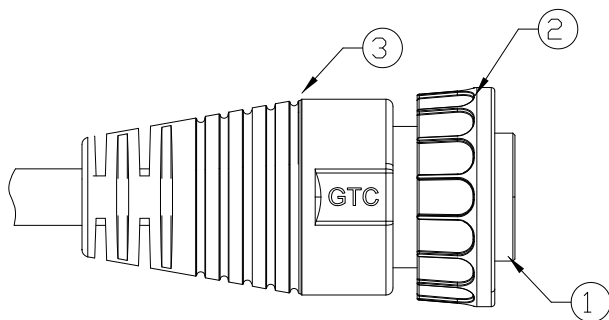
- 1. MATCHING MATES:
GT15430X-X2080
- 2. CABLE LENGTH TOLERANCE:
0 to 1M: ± 40 mm
1 to 10M: ± 5% mm
OVER 10 M: ± 500 mm

PART NO: GT154334-02181-XX

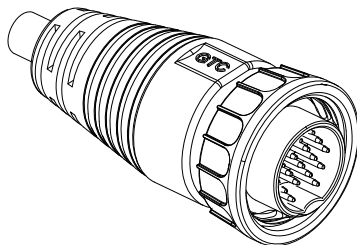
CABLE LENGTH
 01: 1 M
 02: 2 M
 Z3: 30 CM
 A0: 100 M

REV	ECN#	DESCRIPTION OF REVISION	
01		PRELIMINARY	061008
02		MARKED	071408
03		MARKED	081508

GTC
R&D DEPT. ISSUE
SEP.16.2008
ONLY FOR
RELEASE



1	RED
2	RED/WHITE
3	GREEN
4	GREEN/WHITE
5	BLUE
6	BLUE/WHITE
7	ORANGE
8	ORANGE/WHITE
9	BROWN
10	BROWN/WHITE
11	YELLOW
12	PURPLE
13	GRAY
14	WHITE
15	GREEN/WHITE
16	PINK
17	BLACK/WHITE
18	BLACK
	DRAIN



ITEM	MATERIAL
1	HOUSING: THERMAL PLASTIC UL94 V-0 COLOR: BLACK CONTACTS: COPPER ALLOY FINISH: GOLD
2	THERMAL PLASTIC COLOR: BLACK
3	PVC COLOR: BLACK
4	PVC COLOR: BLACK

WIRING DIAGRAM

METRIC		GT Contact CO., LTD	
DRAFTER KAREN	DATE 09/16/08	NOTICE OF PROPRIETARY PROPERTY: THE INFORMATION CONTAINED HEREIN IS THE PROPRIETARY PROPERTY OF GT Contact CO., LTD. THE POSSESSOR AGREES TO THE FOLLOWING: (1) TO MAINTAIN THIS DOCUMENT IN CONFIDENCE (2) NOT TO REPRODUCE OR COPY IT (3) NOT TO REVEAL OR PUBLISH IT IN WHOLE OR PART (4) ALL RIGHTS RESERVED	
DESIGNER ROBBIE	DATE 09/16/08	TITLE C4 screw plug male nut 180 5A 18P	
DIMENSIONS ARE IN MILLIMETERS TOLERANCES X. X ±0.5 X. XX ±0.20 X. XXX ±0.05 ANGLES ±0.5° DO NOT SCALE DRAWINGS		DRAWING NUMBER GT154334-02181-XX	REV. 03
 THIRD ANGLE PROJECTION		SCALE 2: 1	SHT 1 OF 1