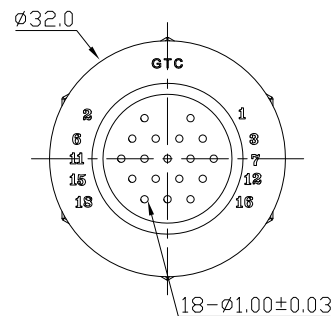
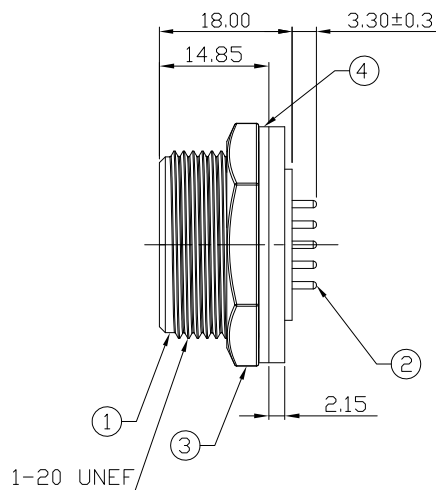
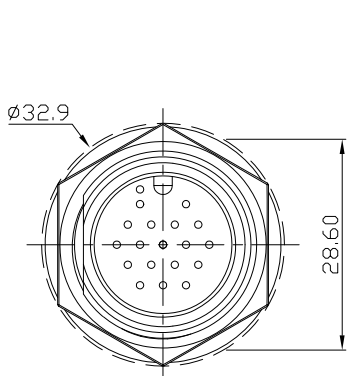


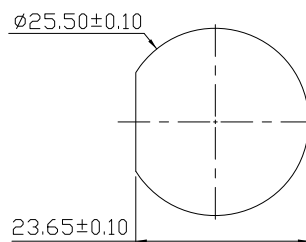
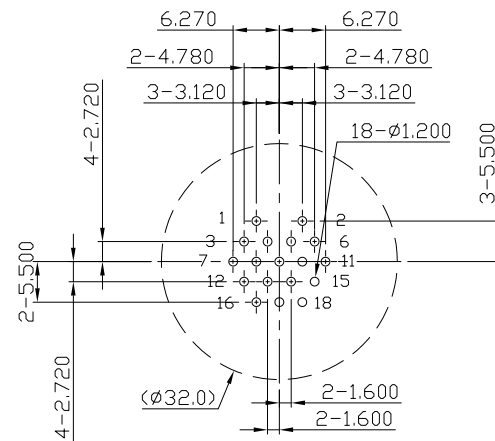
Notes: (Unless Otherwise Specified)

1. Waterproof Rate: IP67.
2. Recommend Panel Thickness: 0.8 to 5.0 mm.
3. Recommend Torque: 19~20 Kgf-cm.  $\Delta$
4. Mating Cap P/N: GT1C5431X2
5. RoHS Compliant.

REV	ECN#	DESCRIPTION OF REVISION	DRAW BY DATE	CHECK BY DATE	APPROVE BY DATE
04	ECN-180709	Change Torque 10~12 Kgf-cm => 19~20 Kgf-cm	Whitney 07/17/18	Lucas 07/17/18	Ray 07/17/18



GTC  
DOC.CENTER.ISSUE  
JUL.20.2018  
ONLY FOR  
RELEASE



Recommend Panel Cut-Out

PCB LAYOUT  
COMPONENT SIDE

GT Contact CO.,LTD

NOTICE OF PROPRIETARY PROPERTY:

THE INFORMATION CONTAINED HEREIN IS THE PROPRIETARY PROPERTY OF GT Contact CO.,LTD THE POSSESSOR AGREES TO THE FOLLOWING:  
 (a) TO MAINTAIN THIS DOCUMENT IN CONFIDENCE  
 (b) NOT TO REPRODUCE OR COPY IT  
 (c) NOT TO REVEAL OR PUBLISH IT IN WHOLE OR PART  
 (d) ALL RIGHTS RESERVED

Item	Part Name	Material / Finish	Qty
4	Gasket	Silicone Color: Black	1
3	Hex Nut	Thermoplastic Color: Black	1
2	Contacts	Copper Alloy Finish: Au Plated	18
1	Housing	Thermoplastic Color: Black	1

TITLE						DRAWING NUMBER			REV.
C4 5A 18P Panel Male Dip Screw						GT154310-12180			04
	B	1:1	Karen 09/16/08	Robbie 09/16/08	Ray 09/16/08	X.X ± 0.5 X.XX ± 0.2	X.XXX ± 0.05 ANGLES ± 1°	mm	1/1
THIRD ANGLE PROJECTION	SIZE	SCALE	DRAW / DATE	CHECK / DATE	APPROVE / DATE	TOLERANCES		UNIT	SHEET