

1

2

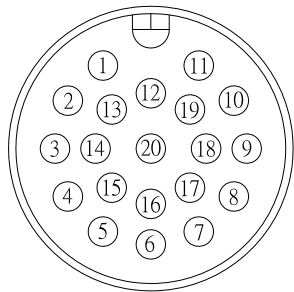
3

4

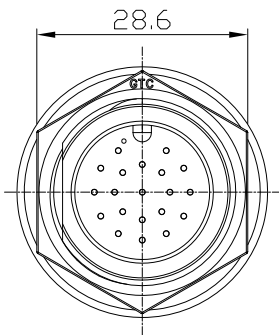
| REV | ECN# | DESCRIPTION OF REVISION | DRAW BY DATE | CHECK BY DATE | APPROVE BY DATE |
|-----|------------|-------------------------|----------------|----------------|-----------------|
| A0 | ECN-141020 | Mass Production | Lucas 11/03/14 | Lucas 11/03/14 | Ray 11/03/14 |

Notes: (Unless Otherwise Specified)

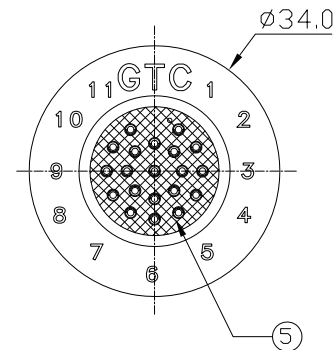
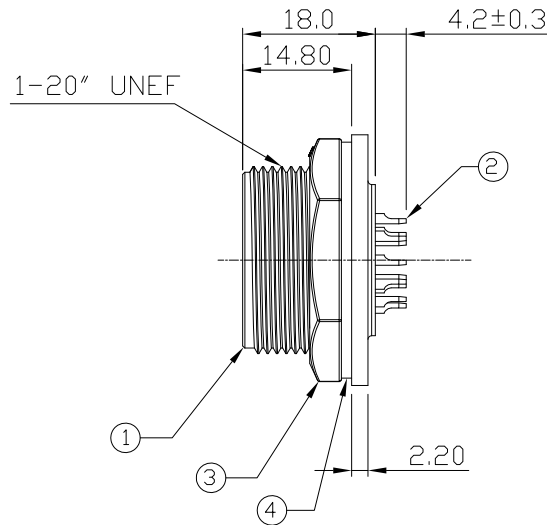
1. Waterproof Rate: IP68.
2. Recommend Panel Thickness: 0.8 to 2.5 mm.
3. Recommend Torque: 19.0~20.0 Kgf-cm.
4. Mating Cap P/N: GT1C5431X2.
5. RoHS Compliant.



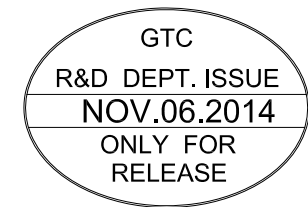
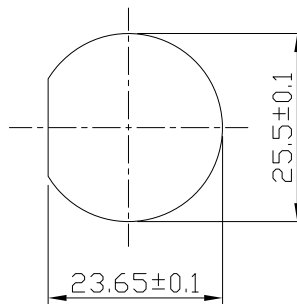
Pin Assignment



Recommend Panel Cut-Out



| Item | Part Name | Material / Finish | Q'ty |
|------|-----------|-----------------------------------|------|
| 5 | Glue | Epoxy Color: Black | |
| 4 | Gasket | Silicone Color: Black | 1 |
| 3 | Hex Nut | Thermoplastic Color: Black | 1 |
| 2 | Contacts | Copper Alloy Finish: Au Plated | 20 |
| 1 | Housing | Thermoplastic Color: Black | 1 |



GT Contact CO.,LTD

NOTICE OF PROPRIETARY PROPERTY:
 THE INFORMATION CONTAINED HEREIN IS THE PROPRIETARY PROPERTY OF GT CONTACT CO.,LTD THE POSSESSOR AGREES TO THE FOLLOWING:
 (a) TO MAINTAIN THIS DOCUMENT IN CONFIDENCE
 (b) NOT TO REPRODUCE OR COPY IT
 (c) NOT TO REVEAL OR PUBLISH IT IN WHOLE OR PART
 (d) ALL RIGHTS RESERVED

| TITLE | | | | | | DRAWING NUMBER | | | REV. |
|-----------------------------------|------|-------|----------------|----------------|----------------|-------------------------|-----------------------------|-----------|------|
| C4 2A 20P Panel Male Solder Screw | | | | | | GT154310-01200 | | | A0 |
| THIRD ANGLE PROJECTION | SIZE | SCALE | DRAW / DATE | CHECK / DATE | APPROVE / DATE | TOLERANCES | | SHEET | |
| | B | 1:1 | Vicki 07/04/14 | Lucas 07/04/14 | Ray 07/04/14 | X.X ± 0.5 X.XX ± 0.2 | X.XXX ± 0.05 ANGLES ± 1° | mm 1/1 | |

1

2

3

4