

1

2

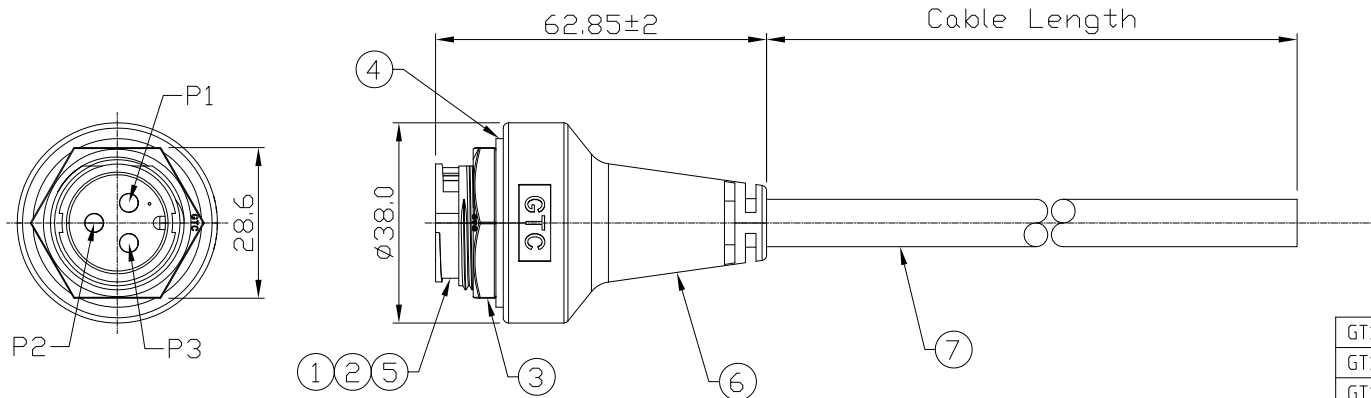
3

4

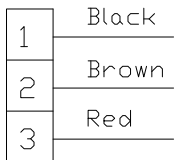
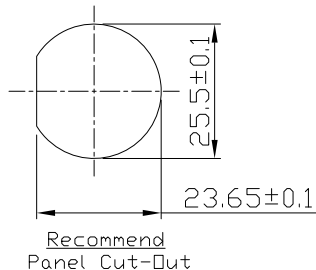
REV	ECN#	DESCRIPTION OF REVISION	DRAW BY DATE	CHECK BY DATE	APPROVE BY DATE
01			Whitney 06/21/19	Lucas 06/21/19	Ray 06/21/19

- Notes: (Unless Otherwise Specified)
1. Waterproof Rate: IP67.
 2. Recommend Panel Thickness: 0.8 to 1.5 mm.
 3. Recommend Torque: 19~20 Kgf-cm.
 4. Mating Cap P/N: GT1C5421X2.
 5. RoHS Compliant.

GTC
 DOC.CENTER.ISSUE
 JUN.21.2019
 ONLY FOR
 RELEASE



GT1542G4-05031-10(F)	10000 mm	+500
GT1542G4-05031-09(F)	9000 mm	+450
GT1542G4-05031-08(F)	8000 mm	+400
GT1542G4-05031-07(F)	7000 mm	+150
GT1542G4-05031-06(F)	6000 mm	+150
GT1542G4-05031-05(F)	5000 mm	+150
GT1542G4-05031-04(F)	4000 mm	+150
GT1542G4-05031-03(F)	3000 mm	+100
GT1542G4-05031-02(F)	2000 mm	+100
GT1542G4-05031-01(F)	1000 mm	+50
GT1542G4-05031-29(F)	900 mm	+50
GT1542G4-05031-28(F)	800 mm	+50
GT1542G4-05031-27(F)	700 mm	+50
GT1542G4-05031-26(F)	600 mm	+50
GT1542G4-05031-25(F)	500 mm	+50
GT1542G4-05031-24(F)	400 mm	+50
GT1542G4-05031-23(F)	300 mm	+25
GT1542G4-05031-22(F)	200 mm	+25
Part No.	Cable Length	Tol.



Wiring Diagram

7	Cable	UL2464 3C*12AWG+Al/My OD=9.0mm , Color: Black	1
6	Over Mold	PVC Color: Black	1
5	Glue	Epoxy Color: Black	
4	Gasket	Silicone Color: Black	1
3	Hex Nut	Thermoplastic Color: Black	1
2	Contacts	Copper Alloy Finish: Au Plated	3
1	Housing	Thermoplastic Color: Black	1
Item	Part Name	Material / Finish	Q'ty

TITTLE C4 30A 3P Panel Male Cable To Cable Solder Lock With Cable						DRAWING NUMBER GT1542G4-05031-XX(F)			REV. 01	
THIRD ANGLE PROJECTION		SIZE B	SCALE 1:1	DRAW / DATE Whitney 06/21/19	CHECK / DATE Lucas 06/21/19	APPROVE / DATE Ray 06/21/19	TOLERANCES X.X ± 0.5 X.XX ± 0.2		UNIT mm	SHEET 1/1

GT Contact CO.,LTD

NOTICE OF PROPRIETARY PROPERTY:
 THE INFORMATION CONTAINED HEREIN IS THE PROPRIETARY PROPERTY OF GT Contact CO.,LTD THE POSSESSOR AGREES TO THE FOLLOWING:
 (A) TO MAINTAIN THIS DOCUMENT IN CONFIDENCE
 (B) NOT TO REPRODUCE OR COPY IT
 (C) NOT TO REVEAL OR PUBLISH IT IN WHOLE OR PART
 (D) ALL RIGHTS RESERVED

1

2

3

4