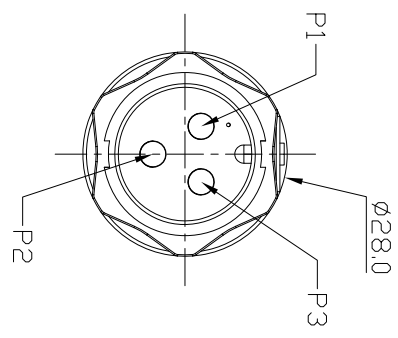
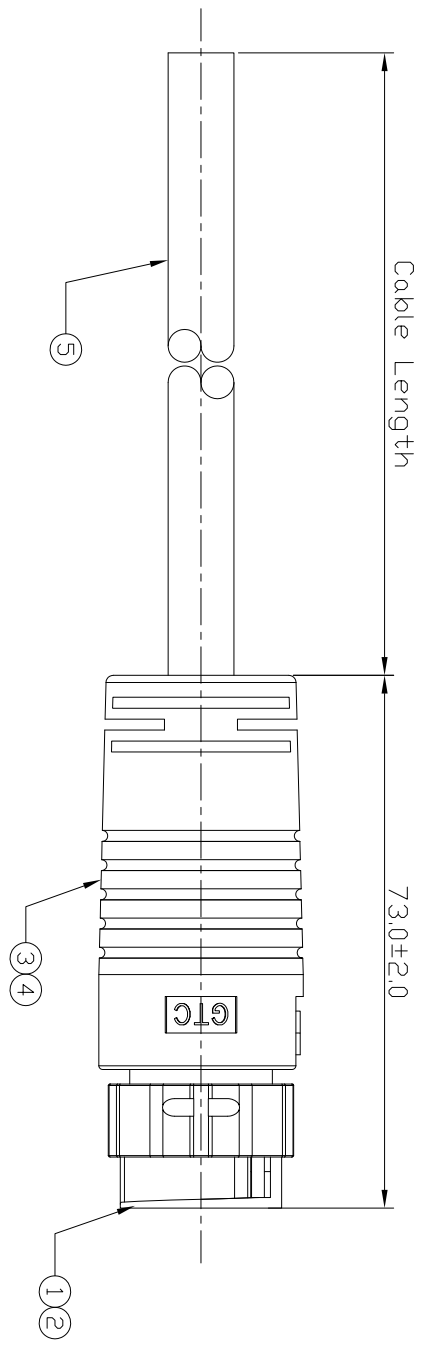
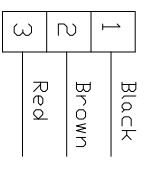


Notes: (Unless Otherwise Specified)
 1. Waterproof Rate : IP67.
 2. RoHS Compliant.

REV	ECN#	DESCRIPTION OF REVISION	DRAW BY DATE	CHECK BY DATE	APPROVE BY DATE
A0	ECN-130317	Mass Production	Lucas 03/25/13	Ray 03/25/13	Ray 03/25/13



Item	Part Name	Material / Finish	Qty
1	Housing	Thermoplastic Color: Black	1
2	Contacts	Copper Alloy Finish: Au Plated	3
3	Inner Mold	Thermoplastic Color: White Dr. Black	1
4	Over Mold	PVC Color: Black	1
5	Cable	UL2464 3C*12AWG+AL/My, DD=9.0mm Color: Black	1



GTC
 DOC.CENTER/ISSUE
 MAR.25.2013
 ONLY FOR
 RELEASE

GT154254-25031-10(F)	10000 mm	±500
GT154254-25031-09(F)	9000 mm	±450
GT154254-25031-08(F)	8000 mm	±400
GT154254-25031-07(F)	7000 mm	±350
GT154254-25031-06(F)	6000 mm	±300
GT154254-25031-05(F)	5000 mm	±250
GT154254-25031-04(F)	4000 mm	±200
GT154254-25031-03(F)	3000 mm	±150
GT154254-25031-02(F)	2000 mm	±100
GT154254-25031-01(F)	1000 mm	±50
GT154254-25031-25(F)	500 mm	±40
Part No.	Cable Length	Tol.

TITLE	DRAWING NUMBER	REV.
C4 30A 3P Cable To Cable Male Lock	GT154254-25031-XX(F)	A0

DO NOT SCALE DRAWINGS	B	1:1	Lucas 07/18/12	Ray 07/18/12	Ray 07/18/12	XX XXX	± 0.5 ± 0.2	XXXX ANGLES	± 0.05 ± 1°	mm	1/1
THIRD ANGLE PROJECTION	SIZE	SCALE	DRAW / DATE	CHECK / DATE	APPROVE / DATE	TOLERANCES	UNIT	SHEET			

GT Contact CO.,LTD

NOTICE OF PROPRIETARY PROPERTY

THE INFORMATION CONTAINED HEREIN IS THE PROPRIETARY PROPERTY OF GT Contact CO.,LTD. THE POSSESSOR AGREES TO MAINTAIN THIS DOCUMENT IN CONFIDENCE AND NOT TO REPRODUCE OR COPY IT IN WHOLE OR PART (S) ALL RIGHTS RESERVED