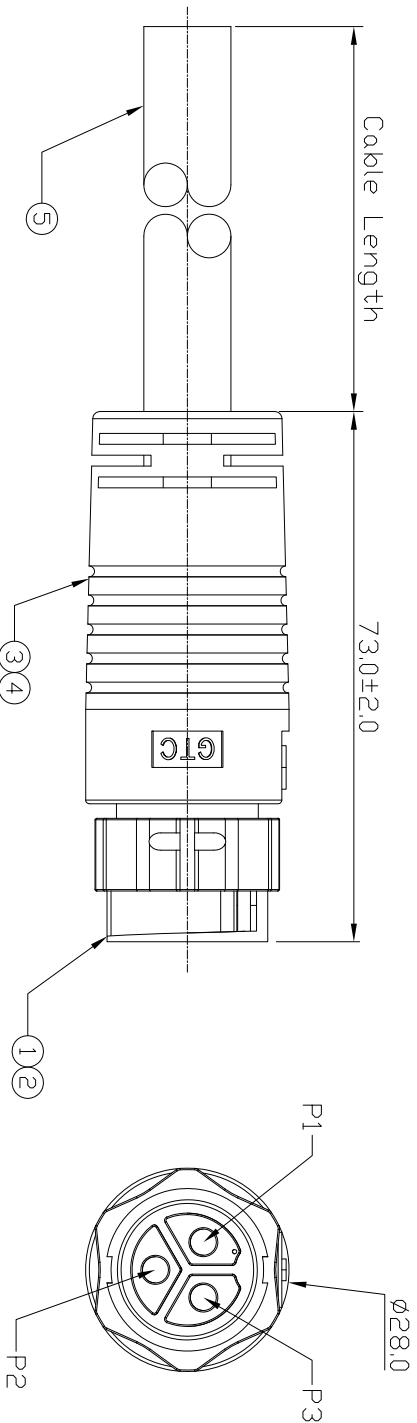


Notes: (unless otherwise specified)
 1. Waterproof Rate: IP67.
 2. ROHS Compliant.

REV	ECN#	DESCRIPTION OF REVISION	DRAW. BY DATE	CHECK BY DATE	APPROVE BY DATE
A0	ECN-130318	GT154244-25031-XX=>GT154244-25031-XX(F)	Lucas 03/25/13	Roy 03/25/13	Roy 03/25/13



Item	Part Name	Material / Finish	Qty
1	Housing	Thermoplastic Color: Black	1
2	Contacts	Copper Alloy Finish: Au Plated	3
3	Inner Mold	Thermoplastic Color: White Or Black	1
4	Over Mold	PVC Color: Black	1
5	Cable	UL2464 3C*12AWG+AL/My, DD=9.0mm Color: Black	1

GTC
 DOC.CENTER.ISSUE
 MAR.26.2013
 ONLY FOR
 RELEASE

Wiring Diagram	Color
1	Black
2	Brown
3	Red

GT154244-25031-10(F)	10000 mm	±500
GT154244-25031-09(F)	9000 mm	±450
GT154244-25031-08(F)	8000 mm	±400
GT154244-25031-07(F)	7000 mm	±350
GT154244-25031-06(F)	6000 mm	±300
GT154244-25031-05(F)	5000 mm	±250
GT154244-25031-04(F)	4000 mm	±200
GT154244-25031-03(F)	3000 mm	±150
GT154244-25031-02(F)	2000 mm	±100
GT154244-25031-01(F)	1000 mm	±50
GT154244-25031-29(F)	900 mm	±40
GT154244-25031-28(F)	800 mm	±40
GT154244-25031-27(F)	700 mm	±40
GT154244-25031-26(F)	600 mm	±40
GT154244-25031-25(F)	500 mm	±40
GT154244-25031-24(F)	400 mm	±20
GT154244-25031-23(F)	300 mm	±10
GT154244-25031-22(F)	200 mm	±10
Part No.	Cable Length	Tol.

TITLE C4 30A 3P Cable To Cable Female Lock
 DRAWING NUMBER GT154244-25031-XX(F)
 REV. A0

DO NOT SCALE DRAWINGS	SIZE	SCALE	DRAW / DATE	CHECK / DATE	APPROVE / DATE	TOLERANCES	UNIT	SHEET
	B	1:1	Lucas 12/23/10	Roy 12/23/10	Roy 12/23/10	± 0.5 ANGLES ± 1°	mm	1/1

GT Contact CD, LTD
 NOTICE OF PROPRIETARY PROPERTY:
 THE INFORMATION CONTAINED HEREIN IS THE PROPRIETARY PROPERTY OF GT Contact CD, LTD. THE POSSESSOR AGREES TO MAINTAIN THIS DOCUMENT IN CONFIDENCE AND NOT TO REPRODUCE OR COPY IT IN WHOLE OR PART (BY ALL RIGHTS RESERVED)