

1

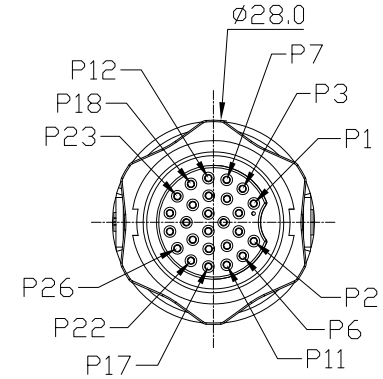
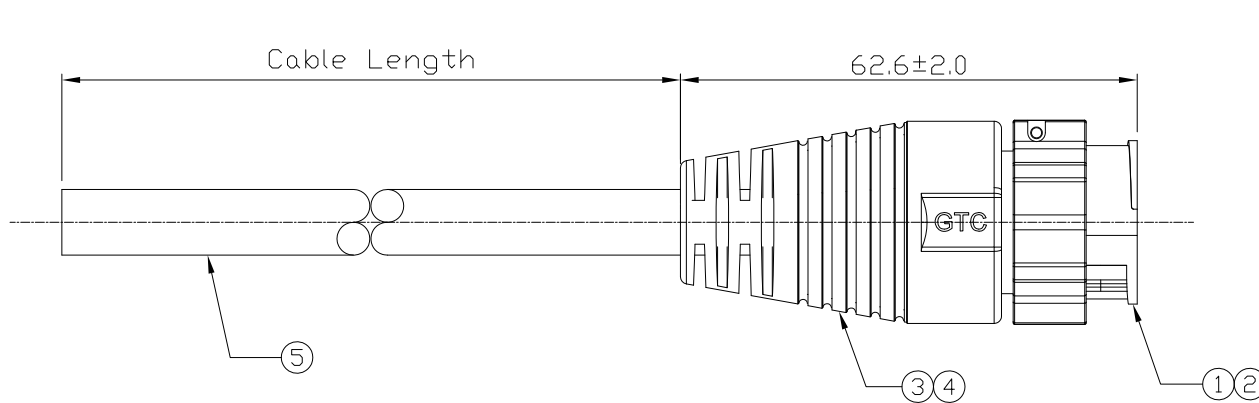
2

3

4

REV	ECN#	DESCRIPTION OF REVISION	DRAW BY DATE	CHECK BY DATE	APPROVE BY DATE
01			Lucas 09/16/15	Ray 09/16/15	Ray 09/16/15

Notes: (Unless Otherwise Specified)
 1. Waterproof Rate: IP67.
 2. RoHS Compliant.



GTC
 R&D DEPT. ISSUE
 APR.22.2016
 ONLY FOR
 RELEASE

Twist	1	Black
	2	Black/White
Twist	3	Brown
	4	Brown/White
	5	Yellow
Twist	6	Yellow/Black
	7	Violet
Twist	8	Violet/White
	9	Pink
Twist	10	Pink/Black
	11	Light-Green
Twist	12	Light-Green/Black
	13	Light-Blue
Twist	14	Light-Blue/Black
	15	Blue
Twist	16	Blue/White
	17	Gray
Twist	18	Gray/White
	19	Orange
Twist	20	Orange/White
	21	Red
Twist	22	Red/White
	23	Green
Twist	24	Green/White
	25	Blue/Black
Twist	26	Blue/White-Dot

GT154244-21267-10	10000 mm	± 500
GT154244-21267-09	9000 mm	± 450
GT154244-21267-08	8000 mm	± 400
GT154244-21267-07	7000 mm	± 150
GT154244-21267-06	6000 mm	± 150
GT154244-21267-05	5000 mm	± 150
GT154244-21267-04	4000 mm	± 150
GT154244-21267-03	3000 mm	± 150
GT154244-21267-02	2000 mm	± 100
GT154244-21267-01	1000 mm	± 50
GT154244-21267-Z9	900 mm	± 40
GT154244-21267-Z5	500 mm	± 40
GT154244-21267-Z4	400 mm	± 40
GT154244-21267-Z3	300 mm	± 40
GT154244-21267-Z2	200 mm	± 25
Part No.	Cable Length	Tol.

Wiring Diagram

Item	Part Name	Material / Finish	Q'ty
5	Cable	UL2464 26AWG*13PR+D+Al/My, OD=9.2mm Color: Black	1
4	Over Mold	PVC Color: Black	1
3	Inner Mold	Thermoplastic Color: White Or Black	1
2	Contacts	Copper Alloy Finish: Au Plated	26
1	Housing	Thermoplastic Color: Black	1

TITLE						DRAWING NUMBER			REV.	
C4 2A 26P Cable To Cable Female Lock With UL2464 26AWG Cable						GT154244-21267-XX			01	
THIRD ANGLE PROJECTION	SIZE	SCALE	DRAW / DATE	CHECK / DATE	APPROVE / DATE	X.X X.XX	± 0.5 ± 0.2	XXX ANGLES	± 0.05 $\pm 1^\circ$	mm 1/1
						TOLERANCES			UNIT	SHEET

GT Contact CO.,LTD

NOTICE OF PROPRIETARY PROPERTY:
 THE INFORMATION CONTAINED HEREIN IS THE PROPRIETARY PROPERTY OF GT Contact CO.,LTD THE POSSESSOR AGREES TO THE FOLLOWING:
 (1) TO MAINTAIN THIS DOCUMENT IN CONFIDENCE
 (2) NOT TO REPRODUCE OR COPY IT
 (3) NOT TO REVEAL OR PUBLISH IT IN WHOLE OR PART
 (4) ALL RIGHTS RESERVED

1

2

3

4