

1

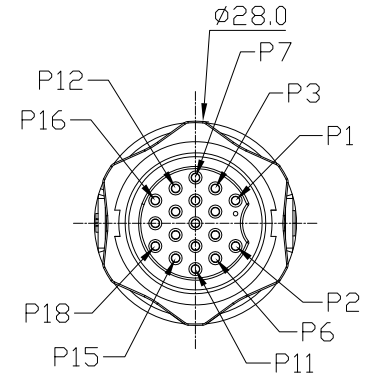
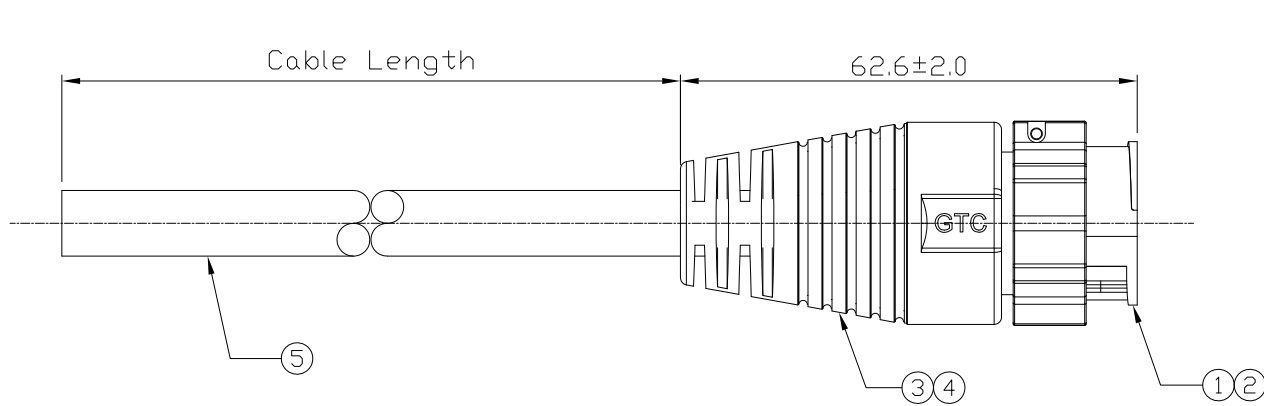
2

3

4

REV	ECN#	DESCRIPTION OF REVISION	DRAW BY DATE	CHECK BY DATE	APPROVE BY DATE
01			Karen 09/18/08	Robbie 09/18/08	Ray 09/18/08

Notes: (Unless Otherwise Specified)  
 1. Waterproof Rate: IP67.  
 2. RoHS Compliant.



GTC  
 R&D DEPT. ISSUE  
 APR.22.2016  
 ONLY FOR  
 RELEASE

1	Red
2	Red/White
3	Green
4	Green/White
5	Blue
6	Blue/White
7	Orange
8	Orange/White
9	Brown
10	Brown/White
11	Yellow
12	Violet
13	Gray
14	White
15	Light-Green
16	Pink
17	Black/White
18	Black
	Drain

Wiring Diagram

Part No.	Cable Length	Tol.
GT154244-02181-10	10000 mm	+500
GT154244-02181-09	9000 mm	+450
GT154244-02181-08	8000 mm	+400
GT154244-02181-07	7000 mm	+150
GT154244-02181-06	6000 mm	+150
GT154244-02181-05	5000 mm	+150
GT154244-02181-04	4000 mm	+150
GT154244-02181-03	3000 mm	+100
GT154244-02181-02	2000 mm	+100
GT154244-02181-01	1000 mm	+50
GT154244-02181-Z9	900 mm	+50
GT154244-02181-Z5	500 mm	+50
GT154244-02181-Z4	400 mm	+50
GT154244-02181-Z3	300 mm	+25
GT154244-02181-Z2	200 mm	+25

Item	Part Name	Material / Finish	Qty
5	Cable	UL2464 24AWG*18C+D+Al/My OD=8.0mm, Color: Black	1
4	Over Mold	PVC Color: Black	1
3	Inner Mold	Thermoplastic Color: White Or Black	1
2	Contacts	Copper Alloy Finish: Au Plated	26
1	Housing	Thermoplastic Color: Black	1

TITLE C4 5A 18P Cable To Cable Female Lock					DRAWING NUMBER GT154244-02181-XX			REV. 01	
THIRD ANGLE PROJECTION		SIZE B	SCALE 1:1	DRAW / DATE Karen 09/18/08	CHECK / DATE Robbie 09/18/08	APPROVE / DATE Ray 09/18/08	TOLERANCES X.X ± 0.5 X.XX ± 0.2	UNIT mm	SHEET 1/1

GT Contact CO.,LTD

NOTICE OF PROPRIETARY PROPERTY:  
 THE INFORMATION CONTAINED HEREIN IS THE PROPRIETARY PROPERTY OF GT Contact CO.,LTD THE POSSESSOR AGREES TO THE FOLLOWING:  
 (a) TO MAINTAIN THIS DOCUMENT IN CONFIDENCE  
 (b) NOT TO REPRODUCE OR COPY IT  
 (c) NOT TO REVEAL OR PUBLISH IT IN WHOLE OR PART  
 (d) ALL RIGHTS RESERVED

1

2

3

4