

1

2

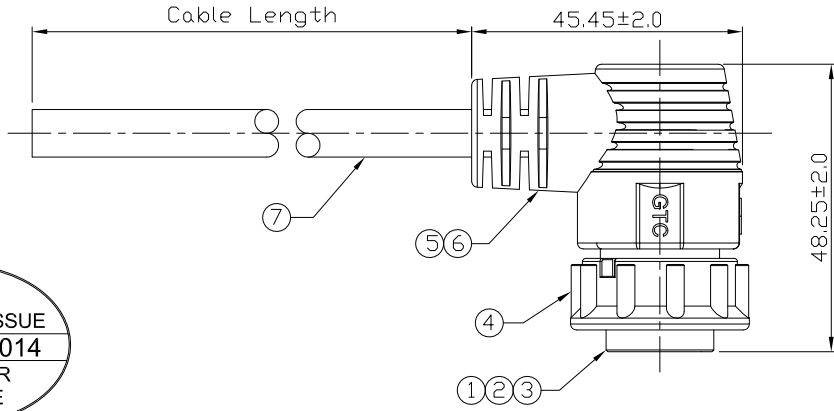
3

4

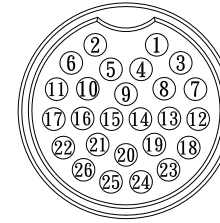
Notes: (Unless Otherwise Specified)

- 1. Waterproof Rate: IP67.
- 2. RoHS Compliant.

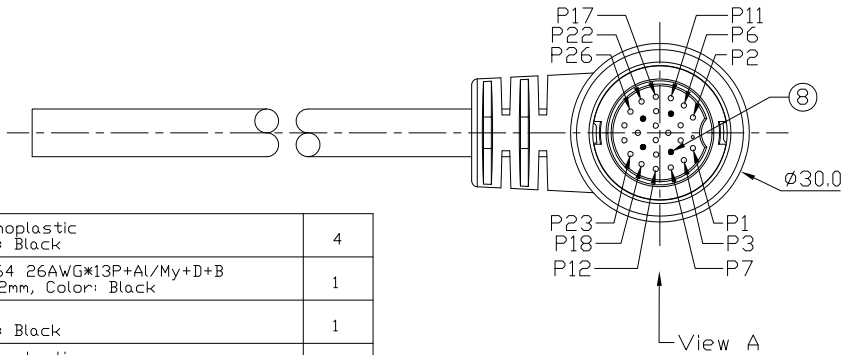
REV	ECN#	DESCRIPTION OF REVISION	DRAW BY DATE	CHECK BY DATE	APPROVE BY DATE
01			Lucas 10/04/14	Ray 10/04/14	Ray 10/04/14



GTC  
R&D DEPT. ISSUE  
OCT.21.2014  
ONLY FOR  
RELEASE



View A 2:1



View A

Twist	Color
1	Black
2	Black/White
3	Brown
4	Brown/White
5	Yellow
6	Yellow/Black
7	Violet
8	N/C
9	Pink
10	N/C
11	Light-Green
12	Light-Green/Black
13	Light-Blue
14	Light-Blue/Black
15	Blue
16	Blue/White
17	Gray
18	Gray/White
19	N/C
20	Orange/White
21	N/C
22	Red/White
23	Green
24	Green/White
25	Blue/Black
26	Blue/White-Dot

Wiring Diagram

Part No.	Cable Length	Tol.
GT154235-21227-10	10000 mm	±500
GT154235-21227-09	9000 mm	±450
GT154235-21227-08	8000 mm	±400
GT154235-21227-07	7000 mm	±150
GT154235-21227-06	6000 mm	±150
GT154235-21227-05	5000 mm	±150
GT154235-21227-04	4000 mm	±150
GT154235-21227-03	3000 mm	±150
GT154235-21227-02	2000 mm	±100
GT154235-21227-01	1000 mm	±50
GT154235-21227-Z9	900 mm	±40
GT154235-21227-Z8	800 mm	±40
GT154235-21227-Z7	700 mm	±40
GT154235-21227-Z6	600 mm	±40
GT154235-21227-Z5	500 mm	±40
GT154235-21227-Z4	400 mm	±20
GT154235-21227-Z3	300 mm	±20
GT154235-21227-Z2	200 mm	±10
GT154235-21227-Z1	100 mm	±10

Item	Part Name	Material/Finish	Q'ty
8	Gland Pin	Thermoplastic Color: Black	4
7	Cable	UL2464 26AWG*13P+Al/My+D+B OD=9.2mm, Color: Black	1
6	Over Mold	PVC Color: Black	1
5	Inner Mold	Thermoplastic Color: White or Black	1
4	Lock Nut	Thermoplastic Color: Black	1
3	O-Ring	Silicone Color: Red	1
2	Contacts	Copper Alloy Finish: Au Plated	22
1	Housing	Thermoplastic Color: Black	1

TITLE						DRAWING NUMBER			REV.	
C4 2A 22P Cable End 90° Male Lock With Cable						GT154235-21227-XX			01	
DO NOT SCALE DRAWINGS	B	1:1	Lucas 10/04/14	Ray 10/04/14	Ray 10/04/14	XX ± 0.5 X.XX ± 0.2	X.XXX ± 0.05 ANGLES ± 1°	mm	1/1	
THIRD ANGLE PROJECTION	SIZE	SCALE	DRAW / DATE	CHECK / DATE	APPROVE / DATE	TOLERANCES		UNIT	SHEET	

GT Contact CO.,LTD

NOTICE OF PROPRIETARY PROPERTY:

THE INFORMATION CONTAINED HEREIN IS THE PROPRIETARY PROPERTY OF GT Contact CO.,LTD THE POSSESSOR AGREES TO THE FOLLOWING:

(a) TO MAINTAIN THIS DOCUMENT IN CONFIDENCE  
 (b) NOT TO REPRODUCE OR COPY IT  
 (c) NOT TO REVEAL OR PUBLISH IT IN WHOLE OR PART  
 (d) ALL RIGHTS RESERVED

1

2

3

4