

1

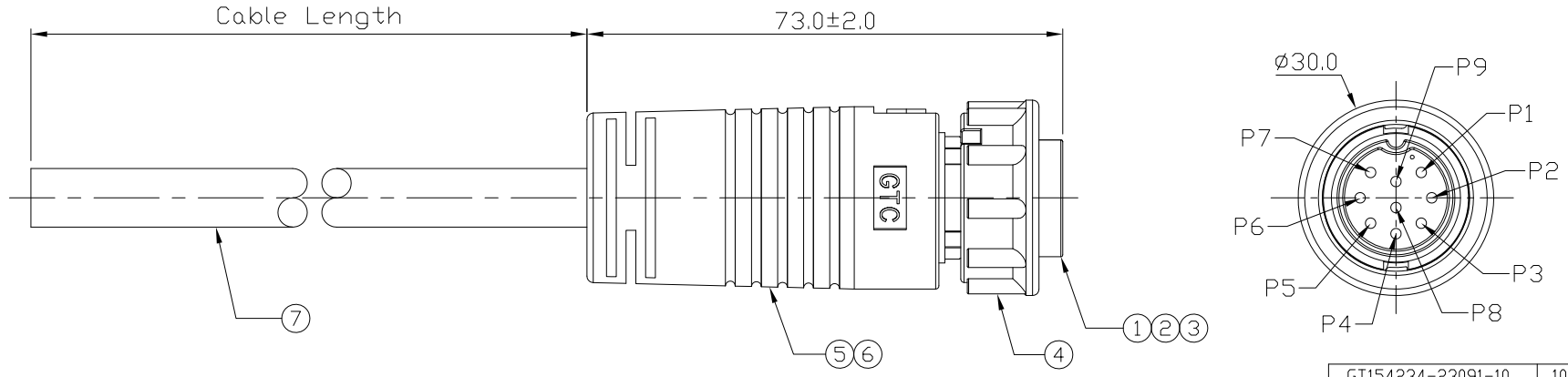
2

3

4

REV	ECN#	DESCRIPTION OF REVISION	DRAW BY DATE	CHECK BY DATE	APPROVE BY DATE
01			Hank 11/08/19	Lucas 11/08/19	Ray 11/08/19

Notes: (Unless Otherwise Specified)
 1. Waterproof Rate : IP67.
 2. RoHS Compliant.



Item	Part Name	Material / Finish	Qty
7	Cable	UL2464 16AWG*9C+Al/My+D DD=10mm, Color: Black	1
6	Over Mold	PVC Color: Black	1
5	Inner Mold	Thermoplastic Color: White Or Black	1
4	Lock Nut	Thermoplastic Color: Black	1
3	O-ring	Silicone Color: Red	1
2	Contacts	Copper Alloy Finish: Au Plated	9
1	Housing	Thermoplastic Color: Black	1

1	Black
2	Brown
3	Red
4	Orange
5	Yellow
6	Green
7	Blue
8	Violet
9	Gray

Wiring Diagram



GT154234-23091-10	10000mm	+500
GT154234-23091-09	9000mm	+450
GT154234-23091-08	8000mm	+400
GT154234-23091-07	7000mm	+150
GT154234-23091-06	6000mm	+150
GT154234-23091-05	5000mm	+150
GT154234-23091-04	4000mm	+150
GT154234-23091-03	3000mm	+100
GT154234-23091-02	2000mm	+100
GT154234-23091-01	1000mm	+50
GT154234-23091-Z9	900mm	+50
GT154234-23091-Z8	800mm	+50
GT154234-23091-Z7	700mm	+50
GT154234-23091-Z6	600mm	+50
GT154234-23091-Z5	500mm	+50
GT154234-23091-Z4	400mm	+50
GT154234-23091-Z3	300mm	+25
GT154234-23091-Z2	200mm	+25
Part No.	Cable Length	Tol.

GT Contact CO.,LTD

NOTICE OF PROPRIETARY PROPERTY:
 THE INFORMATION CONTAINED HEREIN IS THE PROPRIETARY PROPERTY OF GT Contact CO.,LTD THE POSSESSOR AGREES TO THE FOLLOWING:
 (i) TO MAINTAIN THIS DOCUMENT IN CONFIDENCE
 (ii) NOT TO REPRODUCE OR COPY IT
 (iii) NOT TO REVEAL OR PUBLISH IT IN WHOLE OR PART
 (iv) ALL RIGHTS RESERVED

TITLE						DRAWING NUMBER			REV.	
C4 10A 9P Cable End Male Lock With Cable						GT154234-23091-XX			01	
	B	1:1	Hank 11/08/19	Lucas 11/08/19	Ray 11/08/19	XX ± 0.5	X.XXX ± 0.05	mm	1/1	
DO NOT SCALE DRAWINGS	SIZE	SCALE	DRAW / DATE	CHECK / DATE	APPROVE / DATE	TOLERANCES		UNIT	SHEET	

1

2

3

4