

1

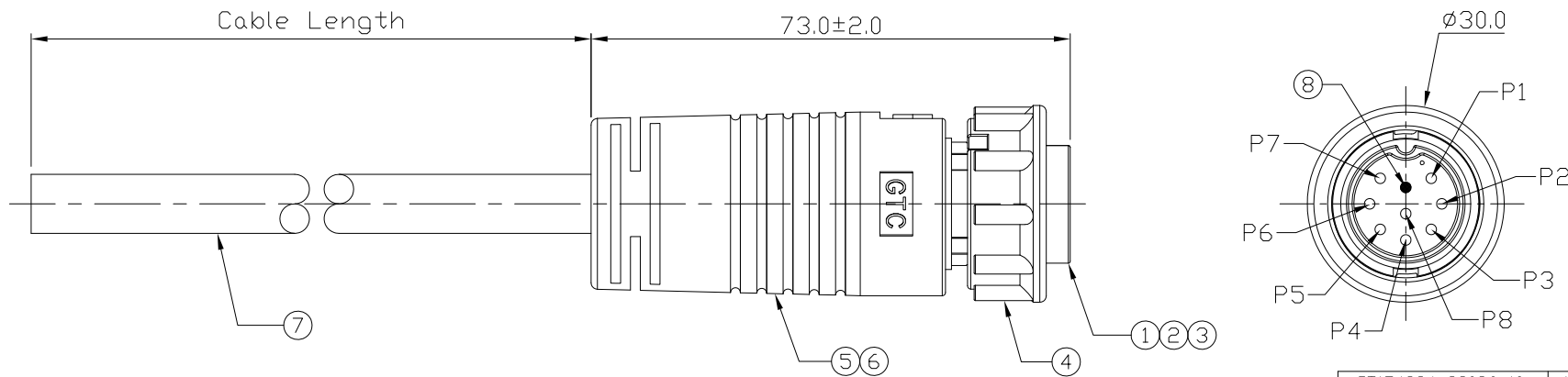
2

3

4

REV	ECN#	DESCRIPTION OF REVISION	DRAW BY DATE	CHECK BY DATE	APPROVE BY DATE
01			Lucas 10/02/19	Lucas 10/02/19	Ray 10/02/19

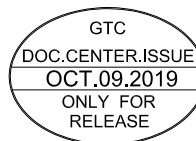
Notes: (Unless Otherwise Specified)  
 1. Waterproof Rate : IP67.  
 2. RoHS Compliant.



Item	Part Name	Material / Finish	Qty
8	Gland Pin	Thermoplastic Color: Black	1
7	Cable	UL2464 18AWG*8C+Al/My+D, ØØ9.0mm Color: Black	1
6	Over Mold	PVC Color: Black	1
5	Inner Mold	Thermoplastic Color: White Or Black	1
4	Lock Nut	Thermoplastic Color: Black	1
3	O-ring	Silicone Color: Red	1
2	Contacts	Copper Alloy Finish: Au Plated	8
1	Housing	Thermoplastic Color: Black	1

1	Black
2	Brown
3	Red
4	Orange
5	Yellow
6	Green
7	Blue
8	Violet

Wiring Diagram



GT154234-23086-10	10000mm	+500
GT154234-23086-09	9000mm	+450
GT154234-23086-08	8000mm	+400
GT154234-23086-07	7000mm	+150
GT154234-23086-06	6000mm	+150
GT154234-23086-05	5000mm	+150
GT154234-23086-04	4000mm	+150
GT154234-23086-03	3000mm	+100
GT154234-23086-02	2000mm	+100
GT154234-23086-01	1000mm	+50
GT154234-23086-Z9	900mm	+50
GT154234-23086-Z8	800mm	+50
GT154234-23086-Z7	700mm	+50
GT154234-23086-Z6	600mm	+50
GT154234-23086-Z5	500mm	+50
GT154234-23086-Z4	400mm	+50
GT154234-23086-Z3	300mm	+25
GT154234-23086-Z2	200mm	+25
Part No.	Cable Length	Tol.

**GT Contact CO.,LTD**

NOTICE OF PROPRIETARY PROPERTY:  
 THE INFORMATION CONTAINED HEREIN IS THE PROPRIETARY PROPERTY OF GT Contact CO.,LTD THE POSSESSOR AGREES TO THE FOLLOWING:  
 (i) TO MAINTAIN THIS DOCUMENT IN CONFIDENCE  
 (ii) NOT TO REPRODUCE OR COPY IT  
 (iii) NOT TO REVEAL OR PUBLISH IT IN WHOLE OR PART  
 (iv) ALL RIGHTS RESERVED

TITLE						DRAWING NUMBER			REV.	
C4 10A 8P Cable End Male Lock With 18AWG Cable						GT154234-23086-XX			01	
THIRD ANGLE PROJECTION		SIZE	SCALE	DRAW / DATE	CHECK / DATE	APPROVE / DATE	TOLERANCES		UNIT	SHEET
		B	1:1	Lucas 10/02/19	Lucas 10/02/19	Ray 10/02/19	XX ± 0.5 X.XX ± 0.2	X.XXX ± 0.05 ANGLES ± 1°	mm	1/1

1

2

3

4