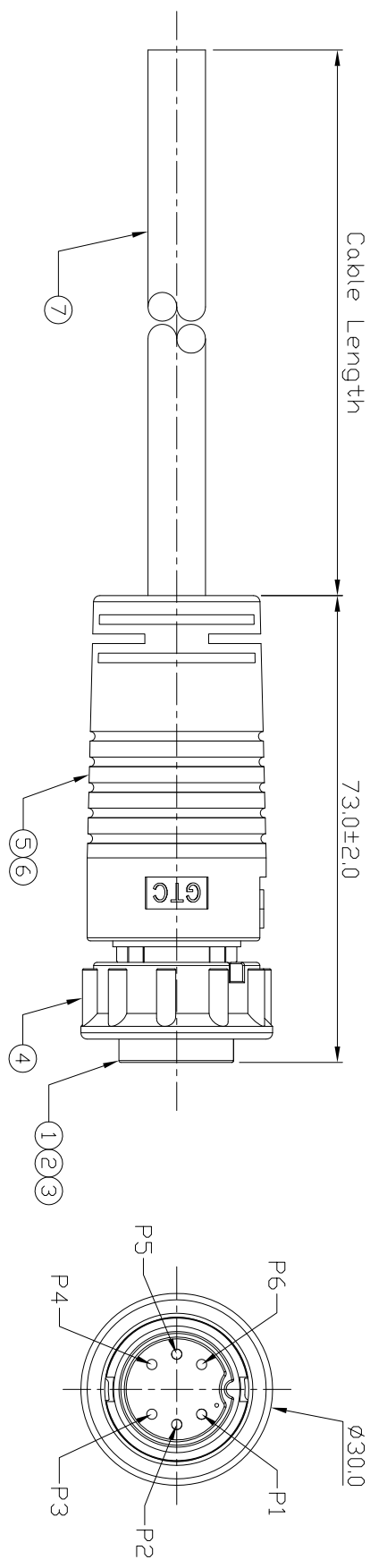


Notes: (Unless Otherwise Specified)
 1. Waterproof Rate : IP67.
 2. RoHS Compliant.

REV	ECN#	DESCRIPTION OF REVISION	DRAW BY DATE	CHECK BY DATE	APPROVE BY DATE
01			Lucas 07/20/12	Roy 07/20/12	Roy 07/20/12



Item	Part Name	Material / Finish	Qty
1	Housing	Thermoplastic Color: Black	1
2	Contacts	Copper Alloy Finish: Au Plated	6
3	O-ring	Silicone Color: Red	1
4	Lock Nut	Thermoplastic Color: Black	1
5	Inner Mold	Thermoplastic Color: White Or Black	1
6	Over Mold	PVC Color: Black	1
7	Cable	UL2464 6C#J16AWG+Al/My, OD=8.0mm Color: Black	1

Item	Color
1	Black
2	Brown
3	Red
4	Orange
5	Yellow
6	Green

Wiring Diagram

GTC
 R&D DEPT. ISSUE
 JUL.25.2012
 ONLY FOR
 RELEASE

GT154234-23061-10	10000 mm	±500
GT154234-23061-09	9000 mm	±450
GT154234-23061-08	8000 mm	±400
GT154234-23061-07	7000 mm	±350
GT154234-23061-06	6000 mm	±300
GT154234-23061-05	5000 mm	±250
GT154234-23061-04	4000 mm	±200
GT154234-23061-03	3000 mm	±150
GT154234-23061-02	2000 mm	±100
GT154234-23061-01	1000 mm	±50
GT154234-23061-25	500 mm	±40
Part No.	Cable Length	Tol.

TITLE	DRAWING NUMBER	REV.
C4 10A 6P Cable End Male Lock	GT154234-23061-XX	01

THIRD ANGLE PROJECTION	SIZE	SCALE	DRAW / DATE	CHECK / DATE	APPROVE / DATE	TOLERANCES	UNIT	SHEET
	B	1:1	Lucas 07/20/12	Roy 07/20/12	Roy 07/20/12	XX ± 0.5 XXXX ± 0.2 ANGLES ± 1°	mm	1/1

GT Contact CO.,LTD
 NOTICE OF PROPRIETARY PROPERTY:
 THE INFORMATION CONTAINED HEREIN IS THE PROPRIETARY PROPERTY OF GT CONTACT CO.,LTD. THE POSSESSOR AGREES TO THE FOLLOWING DOCUMENT IN CONFIDENCE AND NOT TO REPRODUCE OR COPY IT OR NOT TO REVEAL OR PUBLISH IT IN WHOLE OR PART (BY ALL RIGHTS RESERVED)