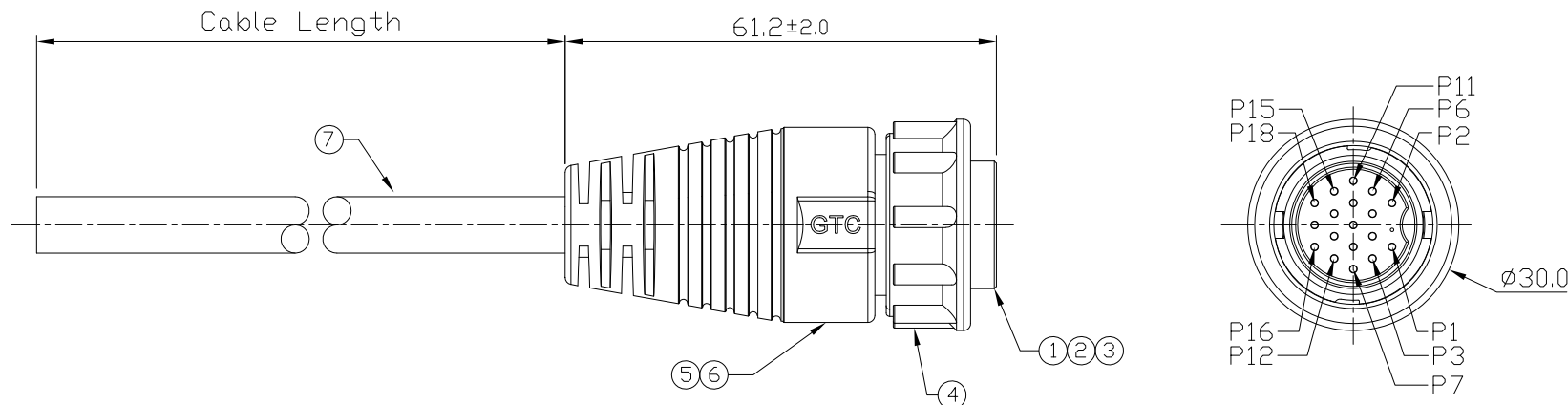


Notes: (Unless Otherwise Specified)  
 1. Waterproof Rate: IP67.  
 2. RoHS Compliant.

REV	ECN#	DESCRIPTION OF REVISION	DRAW BY DATE	CHECK BY DATE	APPROVE BY DATE
A0		Mass Production	Vicky 03/28/12	Lucas 03/28/12	Ray 03/28/12



GTC  
 DOC.CENTER.ISSUE  
 APR.22.2016  
 ONLY FOR  
 RELEASE

- 1 Red
- 2 Red/White
- 3 Green
- 4 Green/White
- 5 Blue
- 6 Blue/White
- 7 Orange
- 8 Orange/White
- 9 Brown
- 10 Brown/White
- 11 Yellow
- 12 Violet
- 13 Gray
- 14 White
- 15 Light-Green
- 16 Pink
- 17 Black/White
- 18 Black
- Drain

Wiring Diagram

GT154234-22181-10	10000 mm	±500
GT154234-22181-09	9000 mm	±450
GT154234-22181-08	8000 mm	±400
GT154234-22181-07	7000 mm	±350
GT154234-22181-06	6000 mm	±300
GT154234-22181-05	5000 mm	±250
GT154234-22181-04	4000 mm	±200
GT154234-22181-03	3000 mm	±150
GT154234-22181-02	2000 mm	±100
GT154234-22181-01	1000 mm	±50
GT154234-22181-Z9	900 mm	±40
GT154234-22181-Z8	800 mm	±40
GT154234-22181-Z7	700 mm	±40
GT154234-22181-Z6	600 mm	±40
GT154234-22181-Z5	500 mm	±40
GT154234-22181-Z4	400 mm	±40
GT154234-22181-Z3	300 mm	±40
GT154234-22181-Z2	200 mm	±25
Part No.	Cable Length	Tol.

7	Cable	UL2464 24AWG*18C+D+Al/My OD=8.0mm, Color: Black	1
6	Over Mold	PVC Color: Black	1
5	Inner Mold	Thermoplastic Color: White or Black	1
4	Lock Nut	Thermoplastic Color: Black	1
3	O-Ring	Silicone Color: Red	1
2	Contacts	Copper Alloy Finish: Au Plated	18
1	Housing	Thermoplastic Color: Black	1
Item	Part Name	Material / Finish	Q'ty

GT Contact CO.,LTD

NOTICE OF PROPRIETARY PROPERTY:  
 THE INFORMATION CONTAINED HEREIN IS THE PROPRIETARY PROPERTY OF GT Contact CO.,LTD THE POSSESSOR AGREES TO THE FOLLOWING:  
 (a) TO MAINTAIN THIS DOCUMENT IN CONFIDENCE  
 (b) NOT TO REPRODUCE OR COPY IT  
 (c) NOT TO REVEAL OR PUBLISH IT IN WHOLE OR PART  
 (d) ALL RIGHTS RESERVED

TITLE						DRAWING NUMBER			REV.	
C4 5A 18P Cable End Male Lock						GT154234-22181-XX			A0	
	B	1:1	Joyce 03/28/12	Lucas 03/28/12	Ray 03/28/12	X.X ± 0.5 X.XX ± 0.2	X.XXX ± 0.05 ANGLES ± 1°	mm	1/1	
THIRD ANGLE PROJECTION	SIZE	SCALE	DRAW / DATE	CHECK / DATE	APPROVE / DATE	TOLERANCES		UNIT	SHEET	