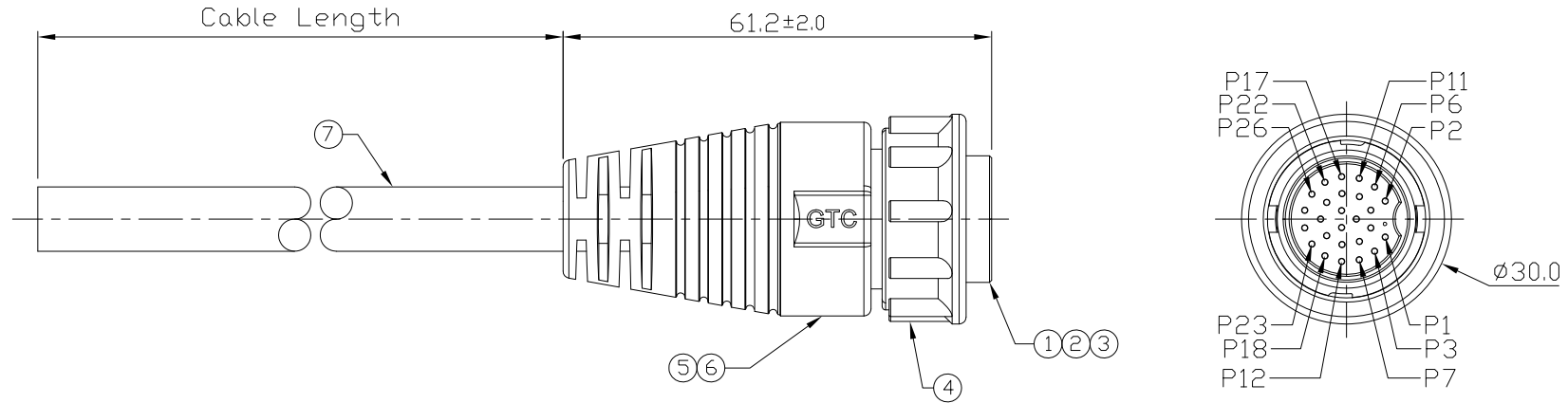


Notes: (Unless Otherwise Specified)
 1. Waterproof Rate: IP67.
 2. RoHS Compliant.

REV	ECN#	DESCRIPTION OF REVISION	DRAW BY DATE	CHECK BY DATE	APPROVE BY DATE
A0		Mass Production	Vicky 07/04/11	Lucas 07/04/11	Ray 07/04/11



GTC
 DOC.CENTER.ISSUE
 APR.22.2016
 ONLY FOR
 RELEASE

Twist	1	Black
	2	Black/White
Twist	3	Brown
	4	Brown/White
Twist	5	Yellow
	6	Yellow/Black
Twist	7	Violet
	8	Violet/White
Twist	9	Pink
	10	Pink/Black
Twist	11	Light-Green
	12	Light-Green/Black
Twist	13	Light-Blue
	14	Light-Blue/Black
Twist	15	Blue
	16	Blue/White
Twist	17	Gray
	18	Gray/White
Twist	19	Orange
	20	Orange/White
Twist	21	Red
	22	Red/White
Twist	23	Green
	24	Green/White
Twist	25	Blue/Black
	26	Blue/White-Dot

GT154234-21267-10	10000 mm	±500
GT154234-21267-09	9000 mm	±450
GT154234-21267-08	8000 mm	±400
GT154234-21267-07	7000 mm	±350
GT154234-21267-06	6000 mm	±300
GT154234-21267-05	5000 mm	±250
GT154234-21267-04	4000 mm	±200
GT154234-21267-03	3000 mm	±150
GT154234-21267-02	2000 mm	±100
GT154234-21267-01	1000 mm	±50
GT154234-21267-Z9	900 mm	±40
GT154234-21267-Z5	500 mm	±40
GT154234-21267-Z4	400 mm	±40
GT154234-21267-Z3	300 mm	±40
GT154234-21267-Z2	200 mm	+25
Part No.	Cable Length	Tol.

7	Cable	UL2464 26AWG*13PR+D+Al/My OD=9.2mm, Color: Black	1
6	Over Mold	PVC Color: Black	1
5	Inner Mold	Thermoplastic Color: White Or Black	1
4	Lock Nut	Thermoplastic Color: Black	1
3	O-Ring	Silicone Color: Red	1
2	Contacts	Copper Alloy Finish: Au Plated	26
1	Housing	Thermoplastic Color: Black	1
Item	Part Name	Material / Finish	Q'ty

Wiring Diagram

GT Contact CO.,LTD

NOTICE OF PROPRIETARY PROPERTY:
 THE INFORMATION CONTAINED HEREIN IS THE PROPRIETARY PROPERTY OF GT CONTACT CO.,LTD THE POSSESSOR AGREES TO THE FOLLOWING:
 (1) TO MAINTAIN THIS DOCUMENT IN CONFIDENCE
 (2) NOT TO REPRODUCE OR COPY IT
 (3) NOT TO REVEAL OR PUBLISH IT IN WHOLE OR PART
 (4) ALL RIGHTS RESERVED

TITLE						DRAWING NUMBER			REV.	
C4 2A 26P Cable End Male Lock With UL2464 26AWG Cable						GT154234-21267-XX			A0	
THIRD ANGLE PROJECTION	SIZE	SCALE	DRAW / DATE	CHECK / DATE	APPROVE / DATE	X.X ± 0.5 X.XX ± 0.2	X.XXX ± 0.05 ANGLES ± 1°	mm	1/1	SHEET