

D

Notes: (unless Otherwise Specified)
 1. Waterproof Rate : IP67.
 2. RoHS Compliance.

REV	ECNH	DESCRIPTION OF REVISION
01		12/27/10

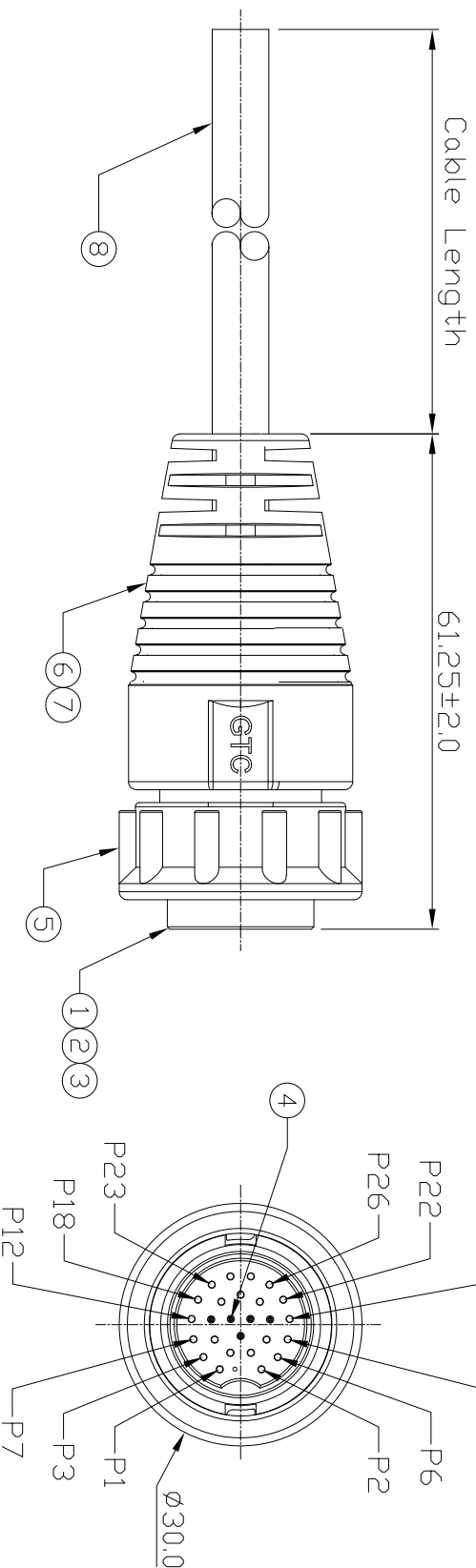
4

3

2

1

1	Black	N/C
2	Brown	N/C
3	Red	N/C
4	Orange	Light Green
5	Yellow	Black/White
6	Green	Brown/White
7	Blue	Red/White
8	Violet	Orange/White
9	N/C	Green/White
10	Gray	Blue/White
11	White	Violet/White
12	Pink	Red/Black
13	N/C	Orange/Black
14	N/C	
15	N/C	
16	N/C	
17	Light Green	
18	Black/White	
19	Brown/White	
20	Red/White	
21	Orange/White	
22	Green/White	
23	Blue/White	
24	Violet/White	
25	Red/Black	
26	Orange/Black	



Wire Diagram

B

Item	Part Name	Material/Finish	Q'ty
1	Hosing	Thermal Plastic Color: Black	1
2	Contacts	Copper Alloy Finish: Au Plated	21
3	O-ring	Silicone Color: Red	1
4	Gland Pin	Thermal Plastic Color: Black	5
5	Lock Nut	Thermal Plastic Color: Black	1
6	Inner Mold	Thermal Plastic Color: White Or Black	1
7	Over Mold	PVC Color: Black	1
8	Cable	UL2464 21C*24AAW/G+AI/My, DD=8.5mm Color: Black	1

Part No.	Cable Length	Tol.
GT154234-21213-Z5	500 mm	±40
GT154234-21213-01	1000 mm	±50
GT154234-21213-02	2000 mm	±100
GT154234-21213-03	3000 mm	±150
GT154234-21213-04	4000 mm	±200
GT154234-21213-05	5000 mm	±250
GT154234-21213-06	6000 mm	±300
GT154234-21213-07	7000 mm	±350
GT154234-21213-08	8000 mm	±400
GT154234-21213-09	9000 mm	±450
GT154234-21213-10	10000 mm	±500

METRIC

DRAWN BY	DATE
LUCOAS	12/27/10

APPROVED
Roy

DATE
12/27/10

GT Contact CD, LTD

NOTICE OF PROPRIETARY PROPERTY:
 THE INFORMATION CONTAINED HEREIN IS THE PROPRIETARY PROPERTY OF GT CONTACT CD, LTD. THE POSSESSION, REPRODUCTION OR DISSEMINATION OF THIS DOCUMENT IS STRICTLY PROHIBITED. © 2010 GT CONTACT CD, LTD. ALL RIGHTS RESERVED.

TITLE
C4 Cable End, 2A Male 21P, Lock

DRAWING NUMBER
GT154234-21213-XX

REV.
01

A

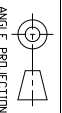
UNIT	SIZE
MILLIMETER	B

SCALE	SHT	OF
1:1	1	1

4

3

2



THIRD ANGLE PROJECTION