

4

3

2

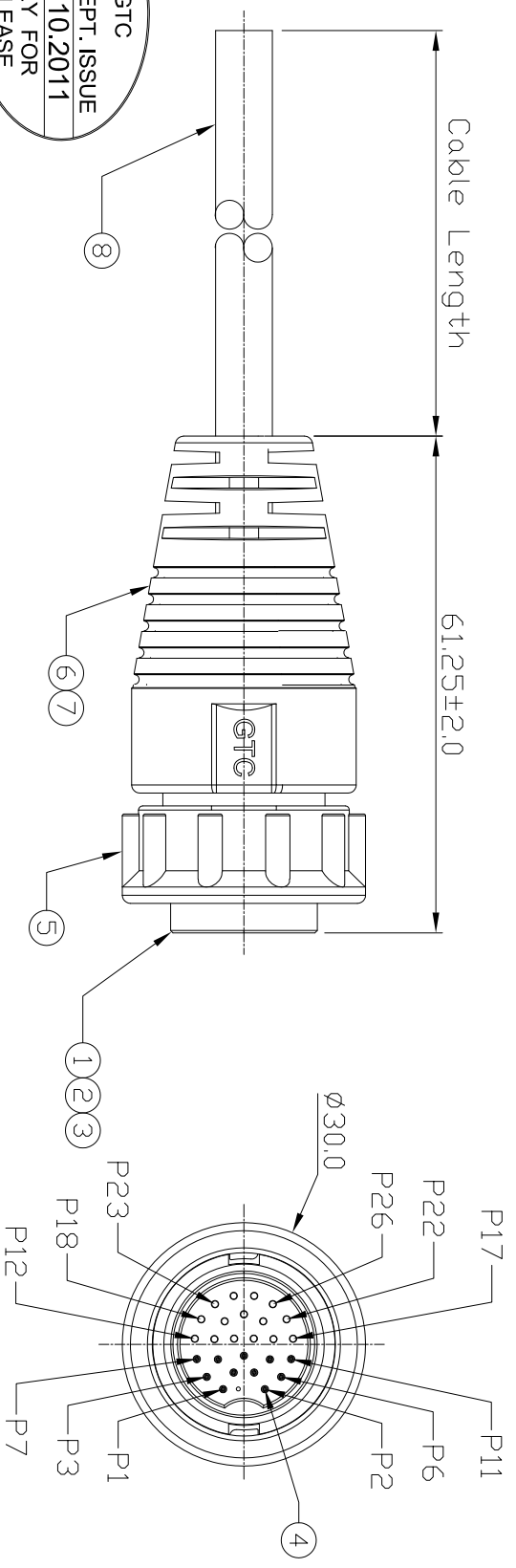
1

Notes: (unless otherwise specified)  
 1. Waterproof Rate : IP67.  
 2. RoHS Compliance.

1~11	N/C
12	Black
13	Brown
14	Red
15	Orange
16	Yellow
17	Green
18	Blue
19	Violet
20	Gray
21	White
22	Pink
23	Light Green
24	Black/White
25	Brown/White
26	Red/White

Wire Diagram

GTC  
 R&D DEPT. ISSUE  
 JAN.10.2011  
 ONLY FOR  
 RELEASE



Item	Part Name	Material/Finish	Qty
1	Hosing	Thermal Plastic Color: Black	1
2	Contacts	Copper Alloy Finish: Au Plated	15
3	O-ring	Silicone Color: Red	1
4	Gland Pin	Thermal Plastic Color: Black	11
5	Lock Nut	Thermal Plastic Color: Black	1
6	Inner Mold	Thermal Plastic Color: White Or Black	1
7	Over Mold	PVC Color: Black	1
8	Cable	UL2464 15C*26AWG+AL/My, DD=6.5mm Color: Black	1

Part No.	Cable Length	Tol.
GT154234-21151-Z5	500 mm	±40
GT154234-21151-01	1000 mm	±50
GT154234-21151-02	2000 mm	±100
GT154234-21151-03	3000 mm	±150
GT154234-21151-04	4000 mm	±200
GT154234-21151-05	5000 mm	±250
GT154234-21151-06	6000 mm	±300
GT154234-21151-07	7000 mm	±350
GT154234-21151-08	8000 mm	±400
GT154234-21151-09	9000 mm	±450
GT154234-21151-10	10000 mm	±500

REV	ECNH	DESCRIPTION OF REVISION	DATE
01			12/27/10

METRIC

GT Contact CD,LTD

DRAWN BY LUCAS	DATE 12/27/10
APPROVED Roy	DATE 12/27/10

NOTICE OF PROPRIETARY PROPERTY:  
 THE INFORMATION CONTAINED HEREIN IS THE PROPRIETARY PROPERTY OF CONTACT CD,LTD. THE POSSESSION, REPRODUCTION OR TO MAINTAIN THIS DOCUMENT IN COMPLIANCE WITH THE FOLLOWING:  
 (a) TO MAINTAIN THIS DOCUMENT IN COMPLIANCE WITH THE FOLLOWING  
 (b) NOT TO REPRODUCE OR PUBLISH IT IN WHOLE OR PART  
 (c) ALL RIGHTS RESERVED

DIMENSIONS ARE IN MILLIMETER  
 TOLERANCES  
 XX ±0.5  
 XXX ±0.20  
 X.XXX ±0.05  
 ANGLES ±0.5 °  
 DO NOT SCALE DRAWINGS

TITLE  
 C4 Cable End, 2A Male 15P,  
 Lock

DRAWING NUMBER  
 GT154234-21151-XX

SCALE  
 1:1

THIRD ANGLE PROJECTION	UNIT MILLIMETER	SIZE B
------------------------	--------------------	-----------

SCALE 1:1	SHT 1	OF 1	REV. 01
--------------	----------	---------	------------

4

3

2

A

B

C

D

A

B

C

D