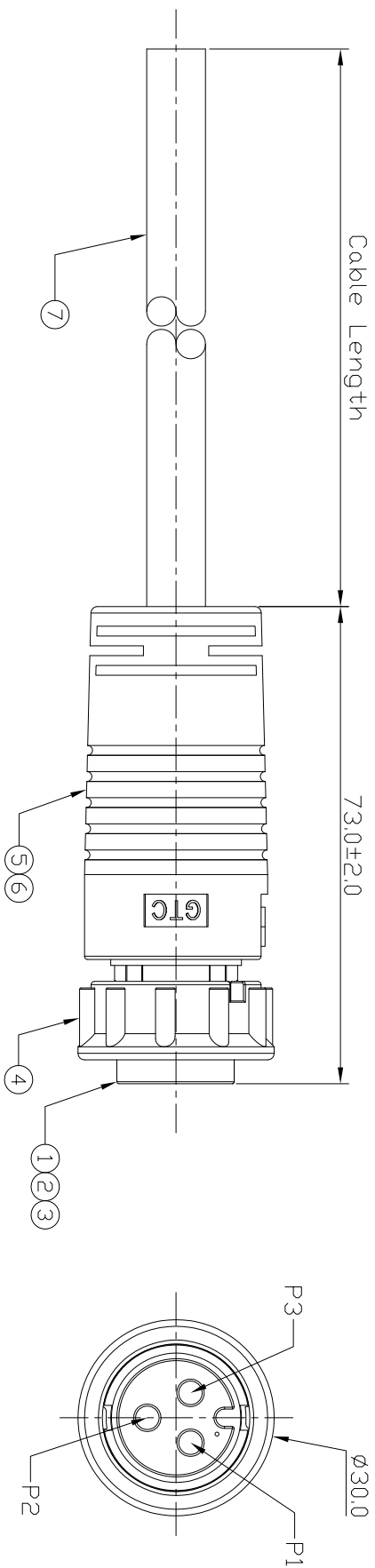


Notes: (Unless Otherwise Specified)
 1. Waterproof Rate : IP67,
 2. RoHS Compliant.

REV	ECN#	DESCRIPTION OF REVISION	DRAW BY DATE	CHECK BY DATE	APPROVE BY DATE
A0	ECN-130317	Mass Production	Lucas 03/25/13	Roy 03/25/13	Roy 03/25/13



Item	Part Name	Material / Finish	Qty
7	Cable	UL2464 3C*12AWG+H/My, OD=9.0mm Color: Black	1
6	Diver Mold	PVC Color: Black	1
5	Inner Mold	Thermoplastic Color: White Or Black	1
4	Lock Nut	Thermoplastic Color: Black	1
3	O-ring	Silicone Color: Red	1
2	Contacts	Copper Alloy Finish: Au Plated	3
1	Housing	Thermoplastic Color: Black	1

1	Black
2	Brown
3	Red

Wiring Diagram

GTC
 DOC.CENTER.ISSUE
 MAR.25.2013
 ONLY FOR
 RELEASE

GT154224-25031-10(F)	10000 mm	±500
GT154224-25031-09(F)	9000 mm	±450
GT154224-25031-08(F)	8000 mm	±400
GT154224-25031-07(F)	7000 mm	±350
GT154224-25031-06(F)	6000 mm	±300
GT154224-25031-05(F)	5000 mm	±250
GT154224-25031-04(F)	4000 mm	±200
GT154224-25031-03(F)	3000 mm	±150
GT154224-25031-02(F)	2000 mm	±100
GT154224-25031-01(F)	1000 mm	±50
GT154224-25031-25(F)	500 mm	±40

Part No.	Cable Length	Tol.
----------	--------------	------

GT Contact CD,LTID

NOTICE OF PROPRIETARY PROPERTY

THE INFORMATION CONTAINED HEREIN IS THE PROPRIETARY PROPERTY OF GT Contact CO.LTD THE POSSESSOR AGREES TO THE FOLLOWING DOCUMENT IN CONFIDENCE
 (a) NOT TO REPRODUCE OR COPY IT
 (b) NOT TO REVEAL OR PUBLISH IT IN WHOLE OR PART
 (c) ALL RIGHTS RESERVED

TITLE	DRAWING NUMBER	REV.
C4 30A 3P Cable End Female Lock	GT154224-25031-XX(F)	A0

DO NOT SCALE DRAWINGS	SIZE	SCALE	LUCAS 07/18/12	ROY 07/18/12	ROY 07/18/12	XX	XXX	± 0.05	XXXX	± 0.05	mm	1/1
THIRD ANGLE PROJECTION	B	1:1	Lucas 07/18/12	Roy 07/18/12	Roy 07/18/12	XX	XXX	± 0.05	XXXX	± 0.05	mm	1/1