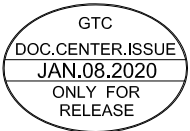
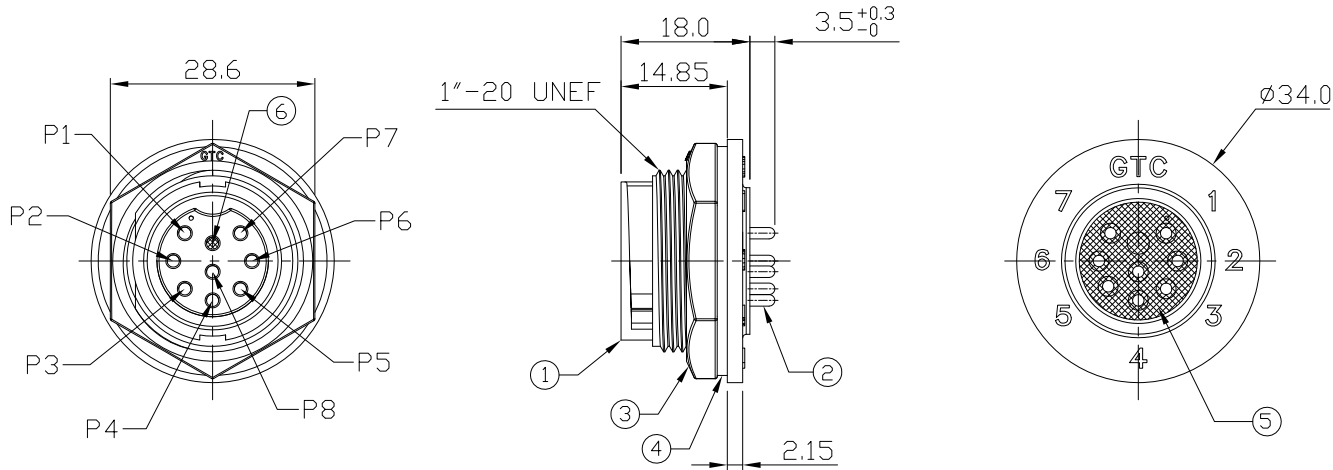


Notes: (Unless Otherwise Specified)

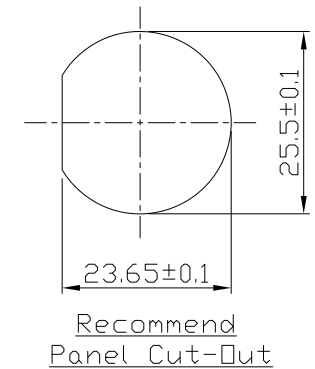
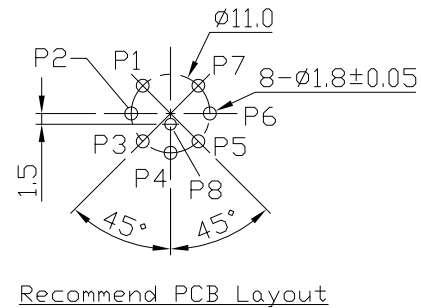
1. Waterproof Rate: IP67.
2. Recommend Panel Thickness: 0.8 to 4.0 mm.
3. Recommend Torque: 19~20 Kgf-cm.
4. Mating Cap P/N: GT1C5421X2.
5. RoHS Compliant.

REV	ECN#	DESCRIPTION OF REVISION	DRAW BY DATE	CHECK BY DATE	APPROVE BY DATE
01			Hank 01/06/19	Lucas 01/06/19	Ray 01/06/19



6	Gland Pin	Thermoplastic Color: Black	1
5	Glue	Epoxy Color: Black	
4	Gasket	Silicone Color: Black	1
3	Hex Nut	Thermoplastic Color: Black	1
2	Contacts	Copper Alloy Finish: Au Plated	8
1	Housing	Thermoplastic Color: Black	1
Item	Part Name	Material / Finish	Qty

TITLE						DRAWING NUMBER			REV.	
C4 10A 8P Panel Female Dip Lock						GT154200-13080			01	
	B	1:1	Hank 01/06/19	Lucas 01/06/19	Ray 01/06/19	XX ± 0.5 X.XX ± 0.2	X.XXX ± 0.05 ANGLES ± 1°	mm	1/1	
THIRD ANGLE PROJECTION	SIZE	SCALE	DRAW / DATE	CHECK / DATE	APPROVE / DATE	TOLERANCES		UNIT	SHEET	



GT Contact CO.,LTD	
NOTICE OF PROPRIETARY PROPERTY:	
THE INFORMATION CONTAINED HEREIN IS THE PROPRIETARY PROPERTY OF GT Contact CO.,LTD THE POSSESSOR AGREES TO THE FOLLOWING:	
(i) TO MAINTAIN THIS DOCUMENT IN CONFIDENCE	
(ii) NOT TO REPRODUCE OR COPY IT	
(iii) NOT TO REVEAL OR PUBLISH IT IN WHOLE OR PART	
(iv) ALL RIGHTS RESERVED	