

1

2

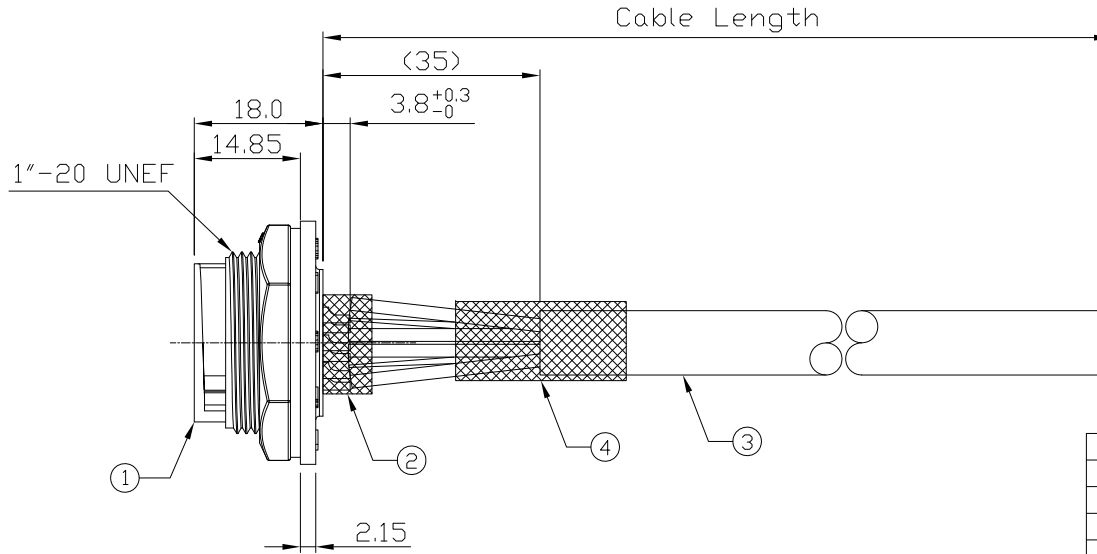
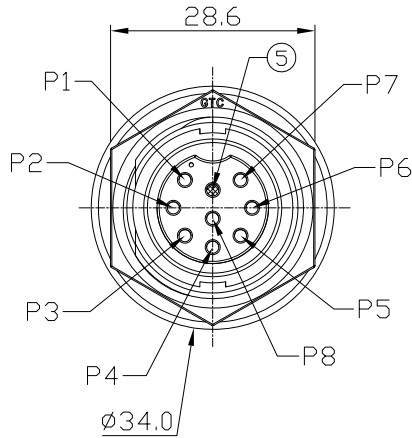
3

4

REV	ECN#	DESCRIPTION OF REVISION	DRAW BY DATE	CHECK BY DATE	APPROVE DATE
01			Lucas 10/05/19	Lucas 10/05/19	Ray 10/05/19

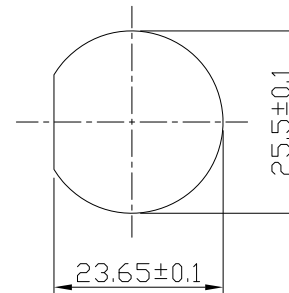
Notes: (Unless Otherwise Specified)

1. Waterproof Rate: IP67.
2. Recommend Panel Thickness: 0.8 to 4.0 mm.
3. Recommend Torque: 19~20 Kgf-cm.
4. Mating Cap P/N: GT1C5421X2.
5. RoHS Compliant.



1	Black
2	Brown
3	Red
4	Orange
5	Yellow
6	Green
7	Blue
8	Violet

Wiring Diagram



Recommend Panel Cut-Out

Part No.	Cable Length	Tol.
GT154200-03084-10	10000mm	+500
GT154200-03084-09	9000mm	+450
GT154200-03084-08	8000mm	+400
GT154200-03084-07	7000mm	+150
GT154200-03084-06	6000mm	+150
GT154200-03084-05	5000mm	+150
GT154200-03084-04	4000mm	+150
GT154200-03084-03	3000mm	+100
GT154200-03084-02	2000mm	+100
GT154200-03084-01	1000mm	+50
GT154200-03084-Z9	900mm	+50
GT154200-03084-Z8	800mm	+50
GT154200-03084-Z7	700mm	+50
GT154200-03084-Z6	600mm	+50
GT154200-03084-Z5	500mm	+50
GT154200-03084-Z4	400mm	+50
GT154200-03084-Z3	300mm	+25

Item	Part Name	Material / Finish	Q'ty
5	Gland Pin	Thermoplastic Color: Black	1
4	Shrink Tube	L=30mm Color: Black	1
3	Cable	UL2464 22AWG*8C+Al/My+D, OD=6.0 Color: Black	1
2	Shrink Tube	L=10mm Color: Black	8
1	C4 10A 8P Panel Female Solder Lock	GT Contact P/N: GT154200-03080	1

TITLE					DRAWING NUMBER			REV.	
C4 10A 8P Panel Female Solder Lock With 22AWG Cable					GT154200-03084-XX			01	
THIRD ANGLE PROJECTION	SIZE	SCALE	DRAW / DATE	CHECK / DATE	APPROVE / DATE	TOLERANCES	UNIT	SHEET	
	B	1:1	Lucas 10/05/19	Lucas 10/05/19	Ray 10/05/19	XX ± 0.5 X.XX ± 0.2	mm	1/1	

GT Contact CO.,LTD

NOTICE OF PROPRIETARY PROPERTY:
 THE INFORMATION CONTAINED HEREIN IS THE PROPRIETARY PROPERTY OF GT Contact CO.,LTD THE POSSESSOR AGREES TO THE FOLLOWING:
 (a) TO MAINTAIN THIS DOCUMENT IN CONFIDENCE
 (b) NOT TO REPRODUCE OR COPY IT
 (c) NOT TO REVEAL OR PUBLISH IT IN WHOLE OR PART
 (d) ALL RIGHTS RESERVED

1

2

3

4