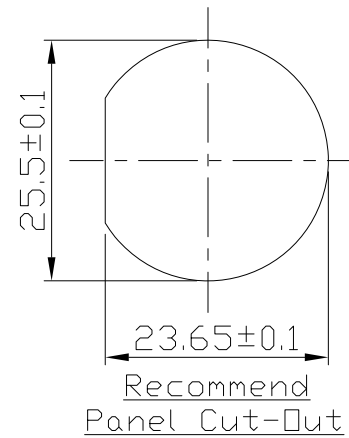
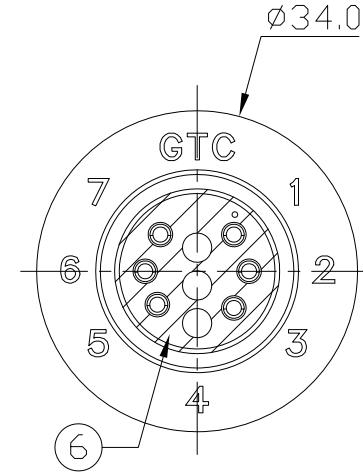
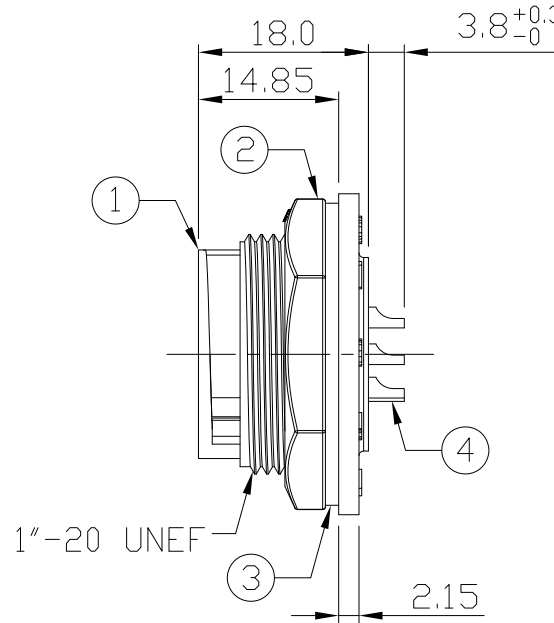
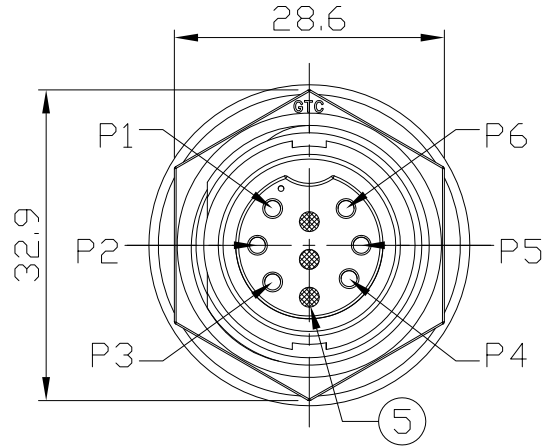


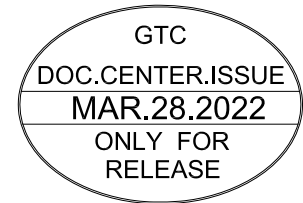
Notes: (Unless Otherwise Specified)

1. Waterproof Rate: IP67.
2. Recommend Panel Thickness: 0.8 to 3.0 mm.
3. Recommend Torque: 19~20 Kgf-cm.
4. Mating Cap P/N: GT1C5421X2.
5. RoHS Compliant.

REV	ECN#	DESCRIPTION OF REVISION	DRAW BY DATE	CHECK BY DATE	APPROVE BY DATE
01			Aileen 03/28/22	Lucas 03/28/22	Ray 03/28/22



Item	Part Name	Material / Finish	Q'ty
6	Glue	Epoxy Color: Black	
5	Gland Pin	Thermoplastic Color: Black	3
4	Contacts	Copper Alloy Finish: Au Plated	6
3	Gasket	Silicone Color: Black	1
2	Hex Nut	Thermoplastic Color: Black	1
1	Housing	Thermoplastic Color: Black	1



TITLE						DRAWING NUMBER			REV.
C4 10A 6P Panel Female Solder Lock						GT154200-03060			01
THIRD ANGLE PROJECTION	SIZE	SCALE	DRAW / DATE	CHECK / DATE	APPROVE / DATE	TOLERANCES	UNIT	SHEET	
	B	1:1	Aileen 03/28/22	Lucas 03/28/22	Ray 03/28/22	X.X ± 0.5 X.XX ± 0.2	mm	1/1	
						X.XXX ± 0.05 ANGLES ± 1°			

GT Contact CO.,LTD	
NOTICE OF PROPRIETARY PROPERTY:	
THE INFORMATION CONTAINED HEREIN IS THE PROPRIETARY PROPERTY OF GT Contact CO.,LTD THE POSSESSOR AGREES TO THE FOLLOWING:	
(a) TO MAINTAIN THIS DOCUMENT IN CONFIDENCE	
(b) NOT TO REPRODUCE OR COPY IT	
(c) NOT TO REVEAL OR PUBLISH IT IN WHOLE OR PART	
(d) ALL RIGHTS RESERVED	