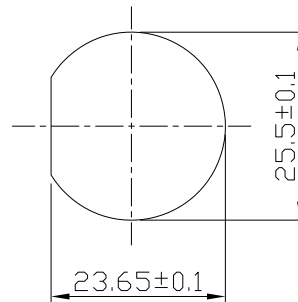
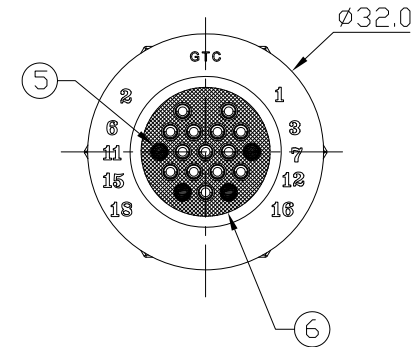
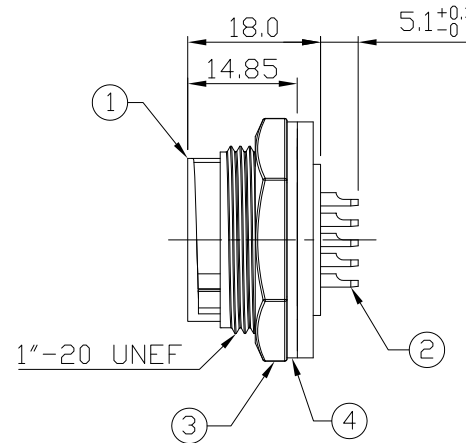
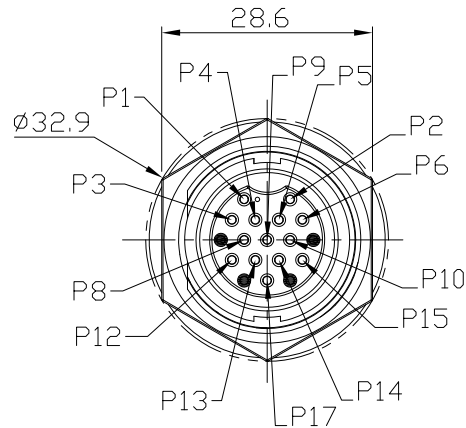


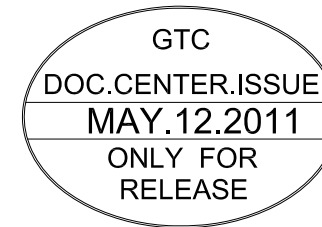
Notes: (Unless Otherwise Specified)

1. Waterproof Rate : IP67.
2. Recommend Panel Thickness : 0.8 to 4.0 mm.
3. Recommend Torque: 19~20 Kgf-cm.
4. Mating Cap P/N :GT1C5421X2.
5. RoHS Compliant.

| REV | ECN# | DESCRIPTION OF REVISION | DRAW BY DATE | CHECK BY DATE | APPROVE BY DATE |
|-----|------|-------------------------|----------------|----------------|-----------------|
| A0 | | Mass Production | Vicky 04/27/11 | Lucas 04/27/11 | Ray 04/27/11 |



Recommend
Panel Cut-Out



| 6 | Glue | Epoxy Color: Black | |
|------|-----------|-----------------------------------|------|
| 5 | Gland Pin | Thermoplastic Color: Black | 4 |
| 4 | Gasket | Silicone Color: Black | 1 |
| 3 | Hex Nut | Thermoplastic Color: Black | 1 |
| 2 | Contacts | Copper Alloy Finish: Au Plated | 14 |
| 1 | Housing | Thermoplastic Color: Black | 1 |
| Item | Part Name | Material / Finish | Q'ty |

| TITLE | | | | | | DRAWING NUMBER | | | REV. |
|------------------------------------|------|-------|----------------|----------------|----------------|-------------------------|-----------------------------|------|-------|
| C4 5A 14P Panel Female Solder Lock | | | | | | GT154200-02140 | | | A0 |
| | B | 1:1 | Vicky 04/27/11 | Lucas 04/27/11 | Ray 04/27/11 | X.X ± 0.5 X.XX ± 0.2 | X.XXX ± 0.05 ANGLES ± 1° | mm | 1/1 |
| THIRD ANGLE PROJECTION | SIZE | SCALE | DRAW / DATE | CHECK / DATE | APPROVE / DATE | TOLERANCES | | UNIT | SHEET |

| GT Contact CO.,LTD | |
|---|--|
| NOTICE OF PROPRIETARY PROPERTY: | |
| THE INFORMATION CONTAINED HEREIN IS THE PROPRIETARY PROPERTY OF GT Contact CO.,LTD THE POSSESSOR AGREES TO THE FOLLOWING: | |
| (a) TO MAINTAIN THIS DOCUMENT IN CONFIDENCE | |
| (b) NOT TO REPRODUCE OR COPY IT | |
| (c) NOT TO REVEAL OR PUBLISH IT IN WHOLE OR PART | |
| (d) ALL RIGHTS RESERVED | |