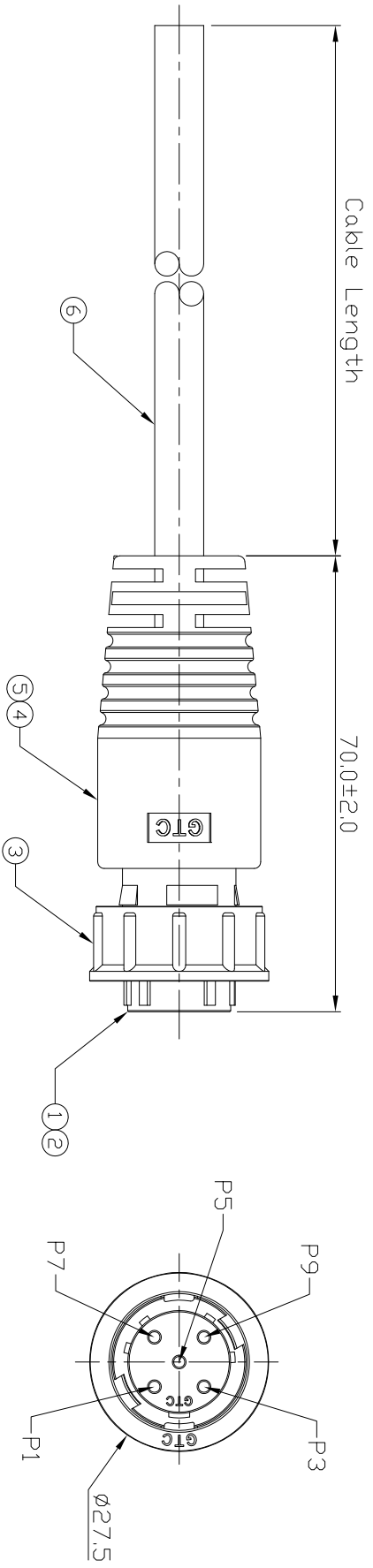


Notes: (Unless Otherwise Specified)  
 1. Waterproof Rate: IP67.  
 2. RoHS Compliant.

REV	ECN#	DESCRIPTION OF REVISION	DRAW BY DATE	CHECK BY DATE	APPROVE BY DATE
A0		Mass Production	Vicky 11/22/11	Lucas 11/22/11	Roy 11/22/11



Item	Part Name	Material / Finish	Qty
1	Housing	Thermoplastic Color: Black	1
2	Contacts	Copper Alloy Finish: Gold Flash	5
3	Lock Nut	Thermoplastic Color: Black	1
4	Inner Mold	Thermoplastic Color: White Or Black	1
5	Over Mold	PVC Color: Black	1
6	Cable	UL2464 16AWG*5C OD=7.5mm, Color: Black	1

1	Black
3	Brown
5	Red
7	Orange
9	Green

Wiring Diagram

GT154124-23051-10(F)	10000 mm	±500
GT154124-23051-09(F)	9000 mm	±450
GT154124-23051-08(F)	8000 mm	±400
GT154124-23051-07(F)	7000 mm	±350
GT154124-23051-06(F)	6000 mm	±300
GT154124-23051-05(F)	5000 mm	±250
GT154124-23051-04(F)	4000 mm	±200
GT154124-23051-03(F)	3000 mm	±150
GT154124-23051-02(F)	2000 mm	±100
GT154124-23051-01(F)	1000 mm	±50
GT154124-23051-79(F)	900 mm	±40
GT154124-23051-75(F)	500 mm	±40
GT154124-23051-73(F)	300 mm	±40
Part No.	Cable Length	Tol.

GT Contact CD,LTID

NOTICE OF PROPRIETARY PROPERTY:  
 THE INFORMATION CONTAINED HEREIN IS THE PROPRIETARY PROPERTY OF GT CONTACT CO.,LTD THE POSSESSOR AGREES TO MAINTAIN THIS DOCUMENT IN CONFIDENCE AND NOT TO REPRODUCE, PUBLISH IT IN WHOLE OR PART (W) ALL RIGHTS RESERVED

TITLE	DRAWING NUMBER	REV.
C4 10A 5P Cable End Female Twist Lock	GT154124-23051-XX(F)	A0

DD NOT SCALE DRAWINGS	SCALE	DRAW / DATE	CHECK / DATE	APPROVE / DATE	TOLERANCES	UNIT	SHEET
	B	1:1	Vicky 11/22/11	Roy 11/22/11	XX ± 0.5 ANGLS ± 1°	mm	1/1

GTC  
 DOC.CENTER.ISSUE  
 NOV.22.2011  
 ONLY FOR  
 RELEASE

