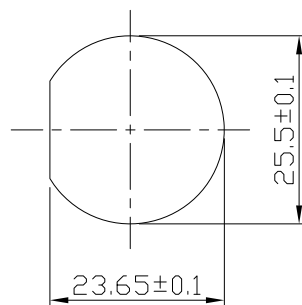
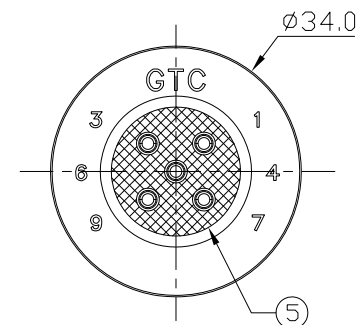
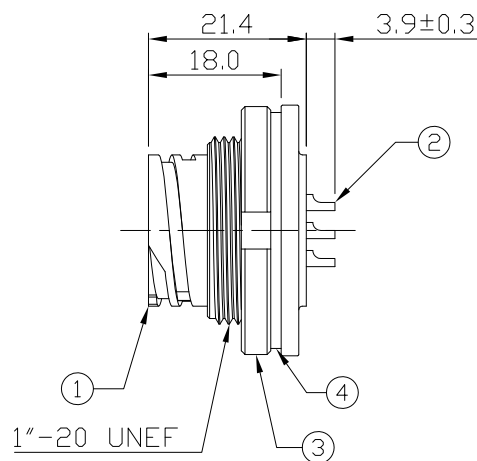
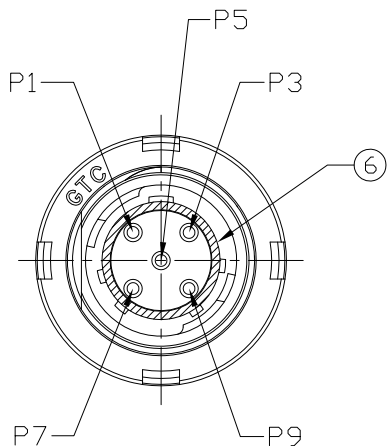


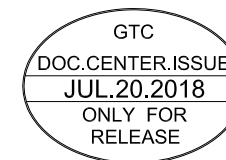
Notes: (Unless Otherwise Specified)

1. Waterproof Rate: IP67.
2. Recommend Panel Thickness: 0.8 to 3.0 mm.
3. Recommend Torque: 19~20 Kgf-cm.  $\Delta$
4. Mating Cap P/N: GT1C5411X2.
5. RoHS Compliant.

REV	ECN#	DESCRIPTION OF REVISION	DRAW BY DATE	CHECK BY DATE	APPROVE BY DATE
A1	ECN-180709	Change Torque 10~12 Kgf-cm => 19~20 Kgf-cm	Whitney 07/17/18	Lucas 07/17/18	Ray 07/17/18



Recommend  
Panel Cut-Out



6	O-Ring	Silicone Color: Red	1
5	Glue	Epoxy Color: Black	
4	Gasket	Silicone Color: Black	1
3	Spanner Nut	Thermoplastic Color: Black	1
2	Contacts	Copper Alloy Finish: Gold Flash	5
1	Housing	Thermoplastic Color: Black	1
Item	Part Name	Material / Finish	Q'ty

TITLE						DRAWING NUMBER			REV.
C4 10A 5P Panel Male Solder Twist Lock						GT154110-03050(F)			A1
	B	1:1	Vicky 11/22/11	Lucas 11/22/11	Ray 11/22/11	X.X ± 0.5 X.XX ± 0.2	X.XXX ± 0.05 ANGLES ± 1°	mm	1/1
THIRD ANGLE PROJECTION	SIZE	SCALE	DRAW / DATE	CHECK / DATE	APPROVE / DATE	TOLERANCES		UNIT	SHEET

GT Contact CO.,LTD	
NOTICE OF PROPRIETARY PROPERTY:	
THE INFORMATION CONTAINED HEREIN IS THE PROPRIETARY PROPERTY OF GT Contact CO.,LTD THE POSSESSOR AGREES TO THE FOLLOWING:	
(a) TO MAINTAIN THIS DOCUMENT IN CONFIDENCE	
(b) NOT TO REPRODUCE OR COPY IT	
(c) NOT TO REVEAL OR PUBLISH IT IN WHOLE OR PART	
(d) ALL RIGHTS RESERVED	