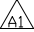
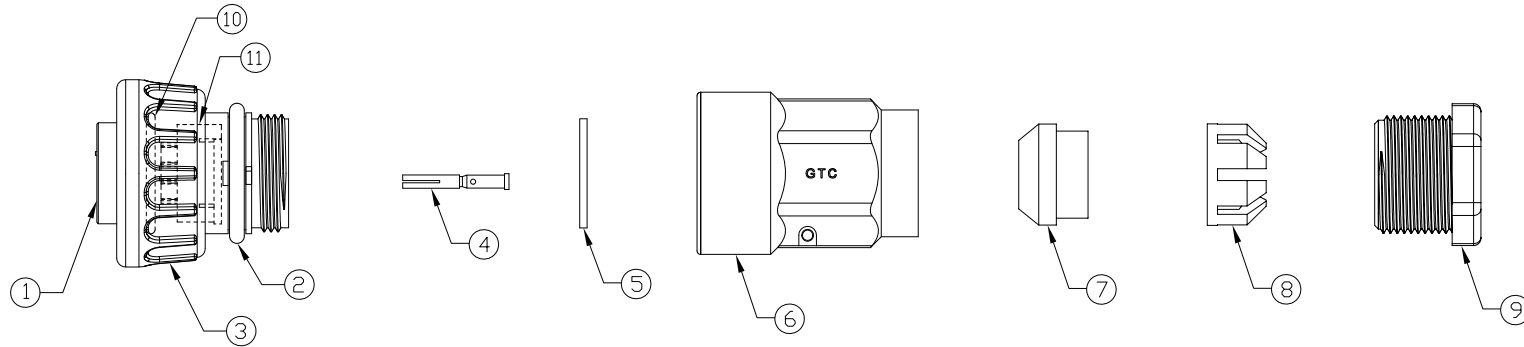


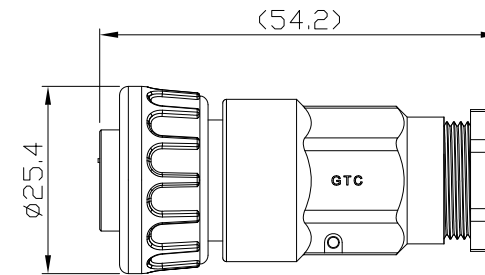
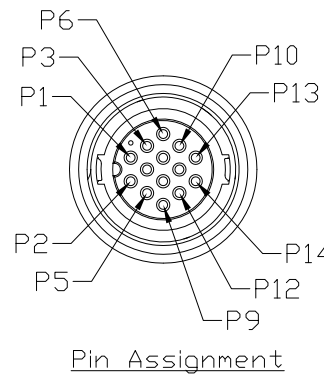
Notes: (Unless Otherwise Specified)

- 1. Waterproof Rate: IP67.
- 2. Recommend Cable Diameter: 5.0 to 6.0 mm 
- 3. Recommend Cover Torque: 6.0 to 7.0 Kg-cm.
- 4. Recommend Gland Nut Torque: 9.0 to 10.0 Kg-cm.
- 5. RoHS Compliance.

REV	ECN#	DESCRIPTION OF REVISION	DRAW BY DATE	CHECK BY DATE	APPROVE BY DATE
A1	ECN-181118	Cable Diameter: 5.0mm~7.0mm => 5.0mm~6.0mm	Whitney 11/14/18	Lucas 11/14/18	Ray 11/14/18

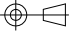


11	Base	Thermoplastic Color: Black	1
10	O-Ring	Silicone Color: Red	1
9	Gland Nut	Thermoplastic Color: Black	1
8	Gland Cage	Thermoplastic Color: White	1
7	Gland	Silicone Color: Green	1
6	Cover	Thermoplastic Color: Black	1
5	Gasket	Silicone Color: Black	1
4	Contacts	Copper Alloy Finish: Au Plated	14
3	Screw Nut	Thermoplastic Color: Black	1
2	O-Ring	Silicone Color: Red	1
1	Housing	Thermoplastic Color: Black	1
Item	Part Name	Material / Finish	Qty



GTC
DOC.CENTER.ISSUE
NOV.16.2018
ONLY FOR
RELEASE

GT Contact CO.,LTD

TITLE						DRAWING NUMBER			REV.		
C3 5A 14P Field Installable Cable End Female Crimp Screw						GT153364-22140			A1		
	B	1:1	Joyce 08/03/11	Lucas 08/03/11	Ray 08/03/11	X.X X.XX	± 0.5 ± 0.2	X.XXX ANGLES	± 0.05 $\pm 1^\circ$	mm	1/1
THIRD ANGLE PROJECTION	SIZE	SCALE	DRAW / DATE	CHECK / DATE	APPROVE / DATE	TOLERANCES			UNIT	SHEET	

NOTICE OF PROPRIETARY PROPERTY:
THE INFORMATION CONTAINED HEREIN IS THE PROPRIETARY PROPERTY OF GT Contact CO.,LTD THE POSSESSOR AGREES TO THE FOLLOWING:
(i) TO MAINTAIN THIS DOCUMENT IN CONFIDENCE
(ii) NOT TO REPRODUCE OR COPY IT
(iii) NOT TO REVEAL OR PUBLISH IT IN WHOLE OR PART
(iv) ALL RIGHTS RESERVED