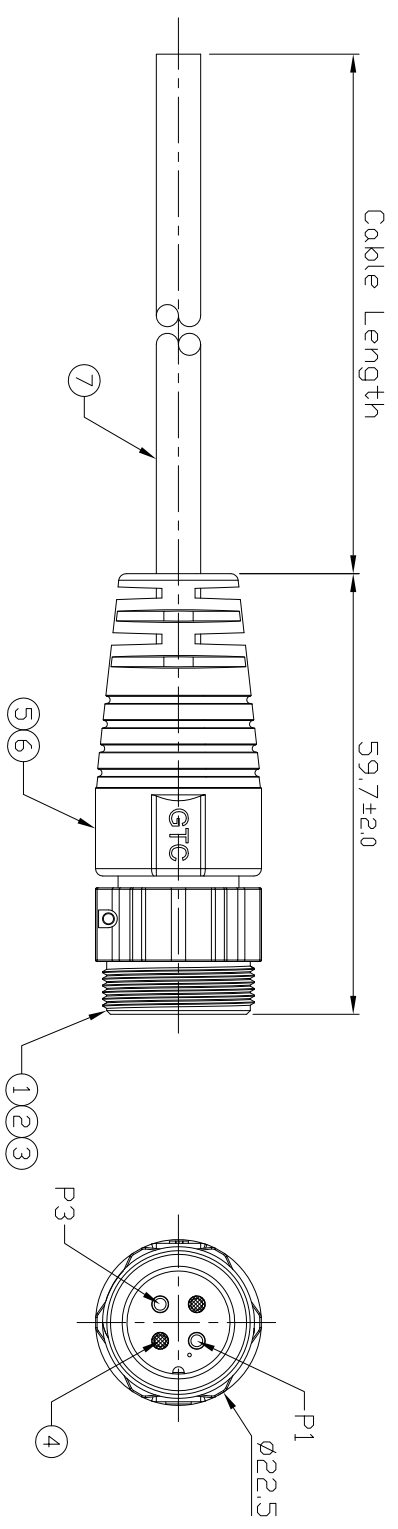
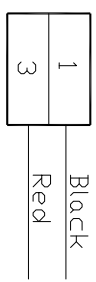


Notes: (Unless Otherwise Specified)
 1. Waterproof Rate : IP67.
 2. RoHS Compliant.

REV	ECN#	DESCRIPTION OF REVISION	DRAW BY DATE	CHECK BY DATE	APPROVE BY DATE
01			Vicky 12/20/11	Lucas 12/20/11	Roy 12/20/11



Item	Part Name	Material / Finish	Qty
7	Cable	UL2464 18AWG*2C+AI/My DD=6.0mm, Color: Black	1
6	Over Mold	PVC Color: Black	1
5	Inner Mold	Thermoplastic Color: White or Black	1
4	Gland Pin	Thermoplastic Color: Black	2
3	Base	Thermoplastic Color: Black	1
2	Contacts	Copper Alloy Finish: Au Plated	2
1	Housing	Thermoplastic Color: Black	1



GTC
 R&D DEPT. ISSUE
 DEC.27.2011
 ONLY FOR
 TEMPORARY

Wiring Diagram

GT153354-23026-10	10000 mm	±500
GT153354-23026-09	9000 mm	±450
GT153354-23026-08	8000 mm	±400
GT153354-23026-07	7000 mm	±350
GT153354-23026-06	6000 mm	±300
GT153354-23026-05	5000 mm	±250
GT153354-23026-04	4000 mm	±200
GT153354-23026-03	3000 mm	±150
GT153354-23026-02	2000 mm	±100
GT153354-23026-01	1000 mm	±50
GT153354-23026-Z9	900 mm	±40
GT153354-23026-Z5	500 mm	±40
GT153354-23026-Z3	300 mm	±40

GT Contact CD,LTID

TITLE	DRAWING NUMBER	REV.
C3 10A 2P Cable to Cable Male Screw With 18AWG Cable	GT153354-23026-XX	01

DD NOT SCALE DRAWINGS	SCALE	DRAW / DATE	CHECK / DATE	APPROVE / DATE	TOLERANCES	UNIT	SHEET
B	1:1	Vicky 12/20/11	Lucas 12/20/11	Roy 12/20/11	XX ± 0.5 XXX ± 0.2 XXXX ANGLES ± 1°	mm	1/1

NOTICE OF PROPRIETARY PROPERTY:
 THE INFORMATION CONTAINED HEREIN IS THE PROPRIETARY PROPERTY OF GT Contact CO.,LTD THE POSSESSOR AGREES TO THE FOLLOWING:
 1) TO MAINTAIN THE INTEGRITY IN CONFIDENCE
 2) TO NOT REVERSE ENGINEER OR REPRODUCE IT IN WHOLE OR PART
 3) ALL RIGHTS RESERVED