

1

2

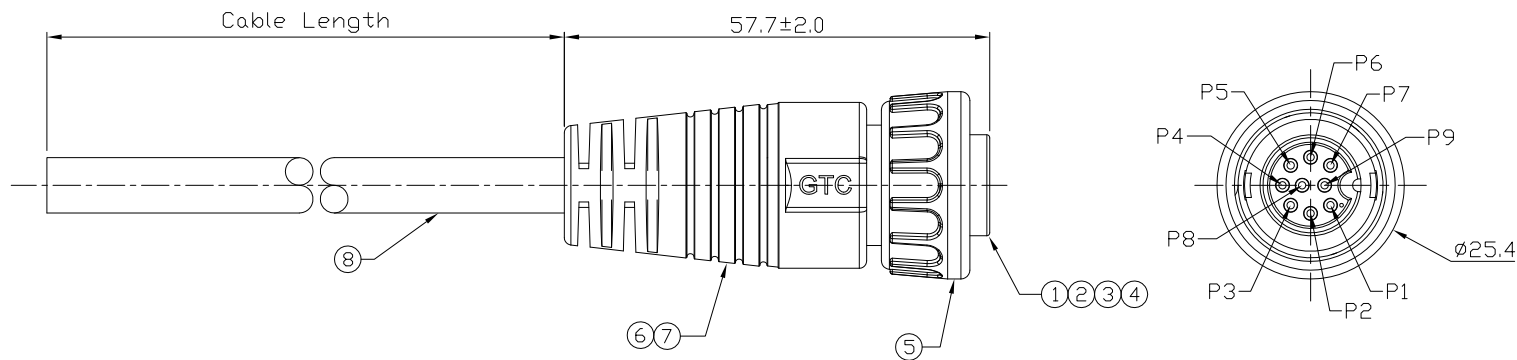
3

4

Notes: (Unless Otherwise Specified)

- 1. Waterproof Rate: IP67.
- 2. RoHS Compliant.

REV	ECN#	DESCRIPTION OF REVISION	DRAW BY DATE	CHECK BY DATE	APPROVE BY DATE
A0		Mass Production	Joyce 03/05/15	Lucas 03/05/15	Ray 03/05/15



GT153334-22091-10	10000 mm	±500
GT153334-22091-09	9000 mm	±450
GT153334-22091-08	8000 mm	±400
GT153334-22091-07	7000 mm	±150
GT153334-22091-06	6000 mm	±150
GT153334-22091-05	5000 mm	±150
GT153334-22091-04	4000 mm	±150
GT153334-22091-03	3000 mm	±150
GT153334-22091-02	2000 mm	±100
GT153334-22091-01	1000 mm	±50
GT153334-22091-Z9	900 mm	±40
GT153334-22091-Z8	800 mm	±40
GT153334-22091-Z7	700 mm	±40
GT153334-22091-Z6	600 mm	±40
GT153334-22091-Z5	500 mm	±40
GT153334-22091-Z4	400 mm	±20
GT153334-22091-Z3	300 mm	±20
GT153334-22091-Z2	200 mm	±10
Part No.	Cable Length	Tol.

Item	Part Name	Material / Finish	Q'ty
8	Cable	UL2464 24AWG*9C+D+Al/My Color: Black, OD=6.0mm	1
7	Over Mold	PVC Color: Black	1
6	Inner Mold	Thermoplastic Color: White or Black	1
5	Screw Nut	Thermoplastic Color: Black	1
4	O-Ring	Silicone Color: Red	1
3	Contacts	Copper Alloy Finish: Au Plated	9
2	Base	Thermoplastic Color: Black	1
1	Housing	Thermoplastic Color: Black	1

1	Black
2	Brown
3	Red
4	Orange
5	Yellow
6	Green
7	Blue
8	Violet
9	Gray

Wiring Diagram



TITLE						DRAWING NUMBER			REV.
C3 5A 9P Cable End Male Screw						GT153334-22091-XX			A0
THIRD ANGLE PROJECTION	SIZE	SCALE	DRAW / DATE	CHECK / DATE	APPROVE / DATE	TOLERANCES		UNIT	SHEET
	B	1:1	Joyce 03/05/15	Lucas 03/05/15	Ray 03/05/15	X.X ± 0.5 X.XX ± 0.2	X.XXX ± 0.05 ANGLES ± 1°	mm	1/1

GT Contact CO.,LTD		
NOTICE OF PROPRIETARY PROPERTY: THE INFORMATION CONTAINED HEREIN IS THE PROPRIETARY PROPERTY OF GT CONTACT CO.,LTD THE POSSESSOR AGREES TO THE FOLLOWING: (i) TO MAINTAIN THIS DOCUMENT IN CONFIDENCE (ii) NOT TO REPRODUCE OR COPY IT (iii) NOT TO REVEAL OR PUBLISH IT IN WHOLE OR PART (iv) ALL RIGHTS RESERVED		

1

2

3

4