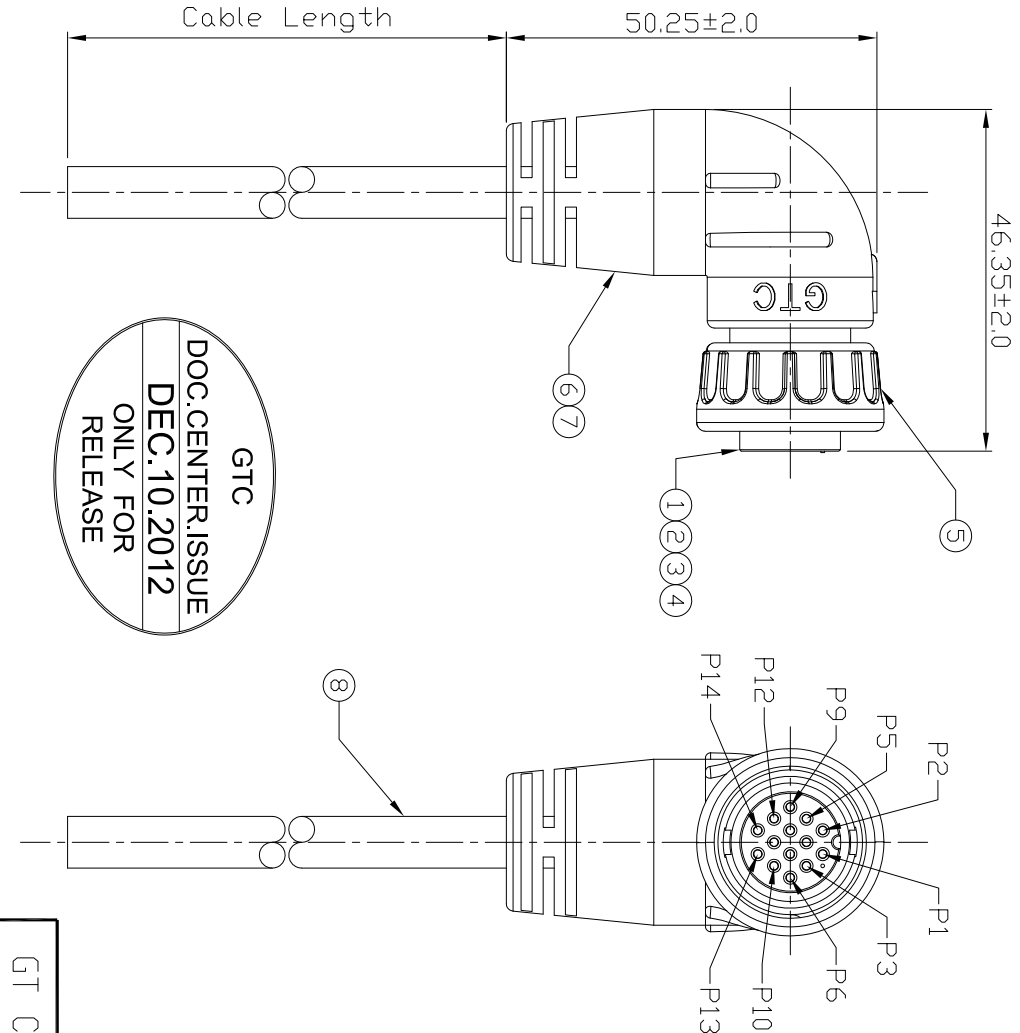


Notes: (Unless Otherwise Specified)
 1. Waterproof Rate: IP67.
 2. RoHS Compliant.

REV	ECN#	DESCRIPTION OF REVISION	DRAW BY DATE	CHECK BY DATE	APPROVE BY DATE
A0		Mass Production	Lucas 12/10/12	Roy 12/10/12	Roy 12/10/12

1	Brown
2	Blue
3	White
4	Green
5	Yellow
6	Gray
7	Pink
8	Red
9	Black
10	Orange
11	Purple
12	Light Green
13	Black/White
14	Brown/White

Wiring Diagram



GT153325-22141-10	10000 mm	±500
GT153325-22141-09	9000 mm	±450
GT153325-22141-08	8000 mm	±400
GT153325-22141-07	7000 mm	±350
GT153325-22141-06	6000 mm	±300
GT153325-22141-05	5000 mm	±250
GT153325-22141-04	4000 mm	±200
GT153325-22141-03	3000 mm	±150
GT153325-22141-02	2000 mm	±100
GT153325-22141-01	1000 mm	±50
GT153325-22141-29	900 mm	±40
GT153325-22141-28	800 mm	±40
GT153325-22141-27	700 mm	±40
GT153325-22141-26	600 mm	±40
GT153325-22141-25	500 mm	±40
GT153325-22141-24	400 mm	±40
GT153325-22141-23	300 mm	±40
GT153325-22141-22	200 mm	±20
GT153325-22141-21	100 mm	±20
Part No.	Cable Length	Tol.

Item	Part Name	Material/Finish	Q'ty
1	Housing	Thermoplastic Color: Black	1
2	Contacts	Copper Alloy Finish: Au Plated	14
3	D-ring	Silicone Color: Red	1
4	14P Base	Thermoplastic Color: Black	1
5	Screw Nut	Thermoplastic Color: Black	1
6	Inner Mold	Thermoplastic Color: White Or Black	1
7	Dyer Mold	PVC Color: Black	1
8	Cable	UL2464 14C*24AWG+D+AL/MY, OD=7.0mm Color: Black	1

TITLE C3 5A 14P Cable End 90° Female Screw

THIRD ANGLE PROJECTION	SIZE	SCALE	DRAW / DATE	CHECK / DATE	APPROVE / DATE	DRAWING NUMBER	REV.
1	B	1:1	Lucas 12/10/12	Roy 12/10/12	Roy 12/10/12	GT153325-22141-XX	A0

GT Contact CD,LTID

NOTICE OF PROPRIETARY PROPERTY:
 THE INFORMATION CONTAINED HEREIN IS THE PROPRIETARY PROPERTY OF GT CONTACT CO.,LTD THE POSSESSOR AGREES TO MAINTAIN THIS DOCUMENT IN CONFIDENCE AND NOT TO REPRODUCE, PUBLISH IT IN WHOLE OR PART (W) ALL RIGHTS RESERVED

GT Contact CD,LTID