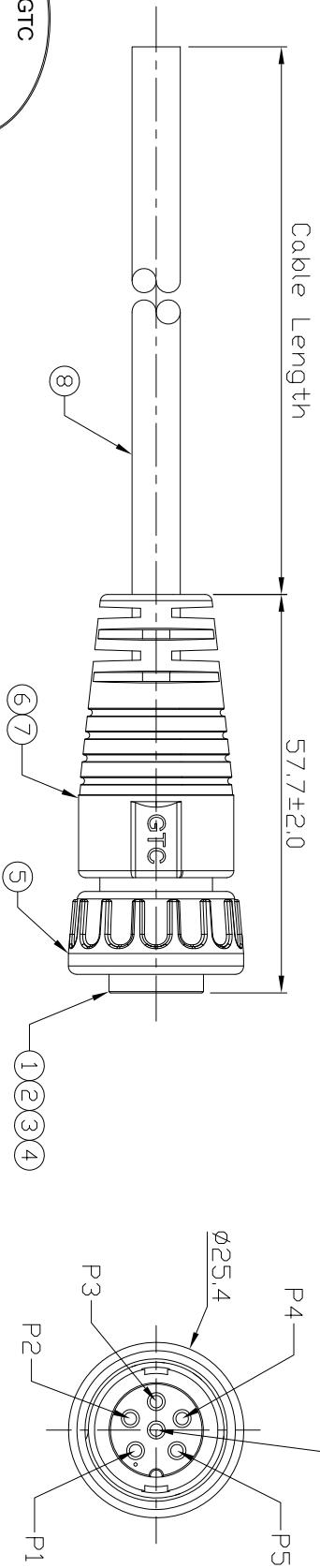


Notes: (Unless Otherwise Specified)
 1. Waterproof Rate : IP67.
 2. RoHS Compliant.

REV	ECN#	DESCRIPTION OF REVISION	DRAW BY DATE	CHECK BY DATE	APPROVE BY DATE
01			Lucas 04/17/12	Lucas 04/17/12	Roy 04/17/12



GTC
 R&D DEPT. ISSUE
 APR. 19. 2012
 ONLY FOR
 RELEASE

Item	Part Name	Material / Finish	Qty
8	Cable	UL2464 16AWG*6C+4I/My, DD=8.0mm Color: Black	1
7	Over Mold	PVC Color: Black	1
6	Inner Mold	Thermoplastic Color: White or Black	1
5	Screw Nut	Thermoplastic Color: Black	1
4	Base	Thermoplastic Color: Black	1
3	O-Ring	Silicone Color: Red	1
2	Contacts	Copper Alloy Finish: Au Plated	6
1	Housing	Thermoplastic Color: Black	1

Wiring Diagram

1	Black
2	Brown
3	Red
4	Orange
5	Yellow
6	Green

GT153324-23061-10	10000 mm	±500
GT153324-23061-09	9000 mm	±450
GT153324-23061-08	8000 mm	±400
GT153324-23061-07	7000 mm	±350
GT153324-23061-06	6000 mm	±300
GT153324-23061-05	5000 mm	±250
GT153324-23061-04	4000 mm	±200
GT153324-23061-03	3000 mm	±150
GT153324-23061-02	2000 mm	±100
GT153324-23061-01	1000 mm	±50
GT153324-23061-Z9	900 mm	±40
GT153324-23061-Z5	500 mm	±40
GT153324-23061-Z3	300 mm	±40

TITLE
 C3 10A 6P Cable End Female Screw

DD NOT SCALE DRAWINGS	SIZE	SCALE	DRAW / DATE	CHECK / DATE	APPROVE / DATE	TOLERANCES	UNIT	SHEET
	B	1:1	Lucas 04/17/12	Lucas 04/17/12	Roy 04/17/12	XX ± 0.5 XXX ± 0.2	XXXX ANGLES ± 1°	mm

REV. 01
 DRAWING NUMBER GT153324-23061-XX

GT Contact CD,LTID
 NOTICE OF PROPRIETARY PROPERTY
 THE INFORMATION CONTAINED HEREIN IS THE PROPRIETARY PROPERTY OF GT CONTACT CO.,LTD THE POSSESSOR AGREES TO MAINTAIN THE SEGMENT IN CONFIDENCE AND NOT TO REPRODUCE, PUBLISH IT IN WHOLE OR PART (NO) ALL RIGHTS RESERVED