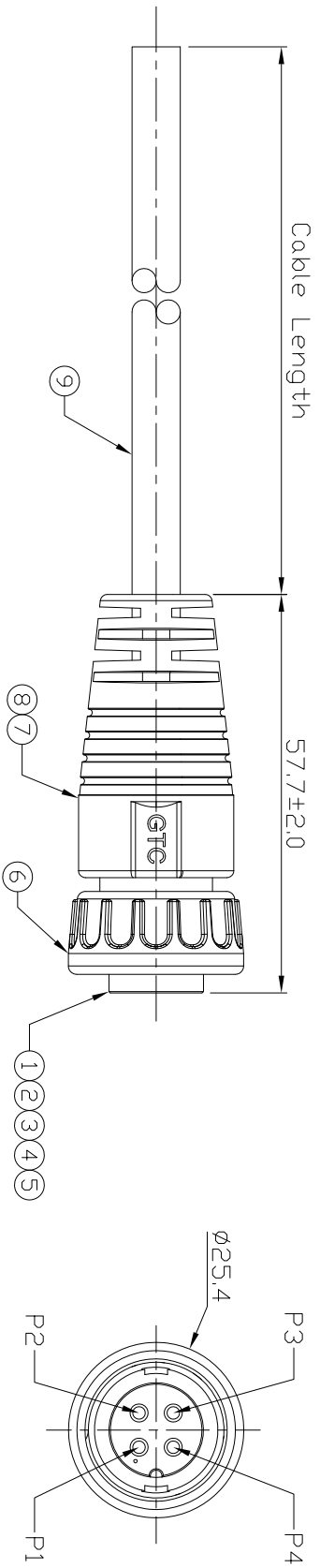


Notes: (Unless Otherwise Specified)  
 1. Waterproof Rate : IP67.  
 2. RoHS Compliance.

REV	ECN#	DESCRIPTION OF REVISION	DRAW BY DATE	CHECK BY DATE	APPROVE BY DATE
A0		Mass Production	Vicky 07/14/11	Lucas 07/14/11	Roy 07/14/11



Item	Part Name	Material / Finish	Qty
9	Cable	UL2464 16AWG*4C DD=7.0mm, Color: Black	1
8	Over Mold	PVC Color: Black	1
7	Inner Mold	Thermal Plastic Color: White or Black	1
6	Screw Nut	Thermal Plastic Color: Black	1
5	Gland Pin	Thermal Plastic Color: Black	1
4	Base	Thermal Plastic Color: Black	1
3	O-Ring	Silicone Color: Red	1
2	Contacts	Copper Alloy Finish: Au Plated	4
1	Housing	Thermal Plastic Color: Black	1

GTC  
 DOC CENTER ISSUE  
 JUL.19.2011  
 ONLY FOR  
 RELEASE

1	2	3	4
Black	Brown	Red	Orange

Wiring Diagram

GT153324-23041-10	10000 mm	±500
GT153324-23041-09	9000 mm	±450
GT153324-23041-08	8000 mm	±400
GT153324-23041-07	7000 mm	±350
GT153324-23041-06	6000 mm	±300
GT153324-23041-05	5000 mm	±250
GT153324-23041-04	4000 mm	±200
GT153324-23041-03	3000 mm	±150
GT153324-23041-02	2000 mm	±100
GT153324-23041-01	1000 mm	±50
GT153324-23041-29	900 mm	±40
GT153324-23041-25	500 mm	±40
GT153324-23041-Z3	300 mm	±40

Part No.	Cable Length	Tol.
GT Contact CD,LTID		

TITLE	DRAWING NUMBER	REV.
C3 10A 4P Cable End Female Screw	GT153324-23041-XX	A0

DD NOT SCALE DRAWINGS	B	1:1	Lucas 08/12/10	Roy 08/12/10	Roy 08/12/10	XXX ± 0.5	XXXX ± 0.05	mm	1/1
THIRD ANGLE PROJECTION	SIZE	SCALE	DRAW / DATE	CHECK / DATE	APPROVE / DATE	TOLERANCES	ANGLES ± 1°	UNIT	SHEET

NOTICE OF PROPRIETARY PROPERTY  
 THE INFORMATION CONTAINED HEREIN IS THE PROPRIETARY PROPERTY OF GT CONTACT COL.LTD THE POSSESSOR AGREES TO MAINTAIN THIS INFORMATION IN CONFIDENCE AND NOT TO REPRODUCE OR DISSEMINATE IT IN WHOLE OR PART (NO) ALL RIGHTS RESERVED