

1

2

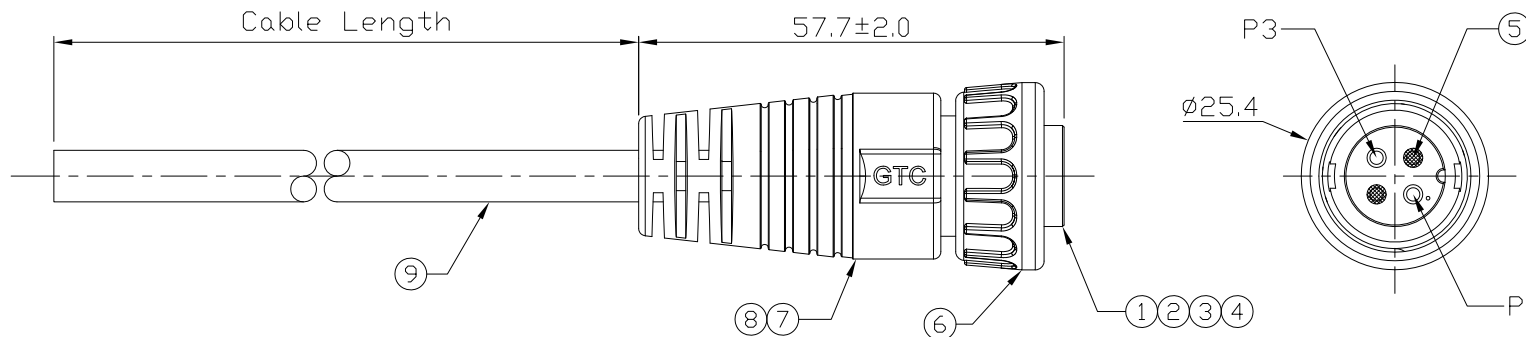
3

4

Notes: (Unless Otherwise Specified)

- 1. Waterproof Rate : IP67.
- 2. RoHS Compliant.

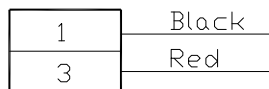
REV	ECN#	DESCRIPTION OF REVISION	DRAW BY DATE	CHECK BY DATE	APPROVE BY DATE
A0			Vicky 12/20/11	Lucas 12/20/11	Ray 12/20/11



GTC  
DOC.CENTER.ISSUE  
SEP.08.2023  
ONLY FOR  
RELEASE

GT153324-23026-10	10000 mm	+500
GT153324-23026-09	9000 mm	+450
GT153324-23026-08	8000 mm	+400
GT153324-23026-07	7000 mm	+150
GT153324-23026-06	6000 mm	+150
GT153324-23026-05	5000 mm	+150
GT153324-23026-04	4000 mm	+150
GT153324-23026-03	3000 mm	+100
GT153324-23026-02	2000 mm	+100
GT153324-23026-01	1000 mm	+50
GT153324-23026-Z9	900 mm	+50
GT153324-23026-Z8	800 mm	+50
GT153324-23026-Z7	700 mm	+50
GT153324-23026-Z6	600 mm	+50
GT153324-23026-Z5	500 mm	+50
GT153324-23026-Z4	400 mm	+50
GT153324-23026-Z3	300 mm	+25
GT153324-23026-Z2	200 mm	+25
Part No.	Cable Length	Tol.

9	Cable	UL2464 18AWG*2C+Al/My ØD=6.0mm, Color: Black	1
8	Over Mold	PVC Color: Black	1
7	Inner Mold	Thermoplastic Color: White or Black	1
6	Screw Nut	Thermoplastic Color: Black	1
5	Gland Pin	Thermoplastic Color: Black	2
4	Base	Thermoplastic Color: Black	1
3	O-Ring	Silicone Color: Red	1
2	Contacts	Copper Alloy Finish: Au Plated	2
1	Housing	Thermoplastic Color: Black	1
Item	Part Name	Material / Finish	Q'ty



Wiring Diagram

TITLE						DRAWING NUMBER			REV.
C3 10A 2P Cable End Female Screw With 18AWG Cable						GT153324-23026-XX			A0
	B	1:1	Vicky 12/20/11	Lucas 12/20/11	Ray 12/20/11	X.X ± 0.5 X.XX ± 0.2	X.XXX ± 0.05 ANGLES ± 1°	mm	1/1
THIRD ANGLE PROJECTION	SIZE	SCALE	DRAW / DATE	CHECK / DATE	APPROVE / DATE	TOLERANCES		UNIT	SHEET

GT Contact CO.,LTD

NOTICE OF PROPRIETARY PROPERTY:  
THE INFORMATION CONTAINED HEREIN IS THE PROPRIETARY PROPERTY OF GT Contact CO.,LTD THE POSSESSOR AGREES TO THE FOLLOWING:  
(a) TO MAINTAIN THIS DOCUMENT IN CONFIDENCE  
(b) NOT TO REPRODUCE OR COPY IT  
(c) NOT TO REVEAL OR PUBLISH IT IN WHOLE OR PART  
(d) ALL RIGHTS RESERVED

1

2

3

4