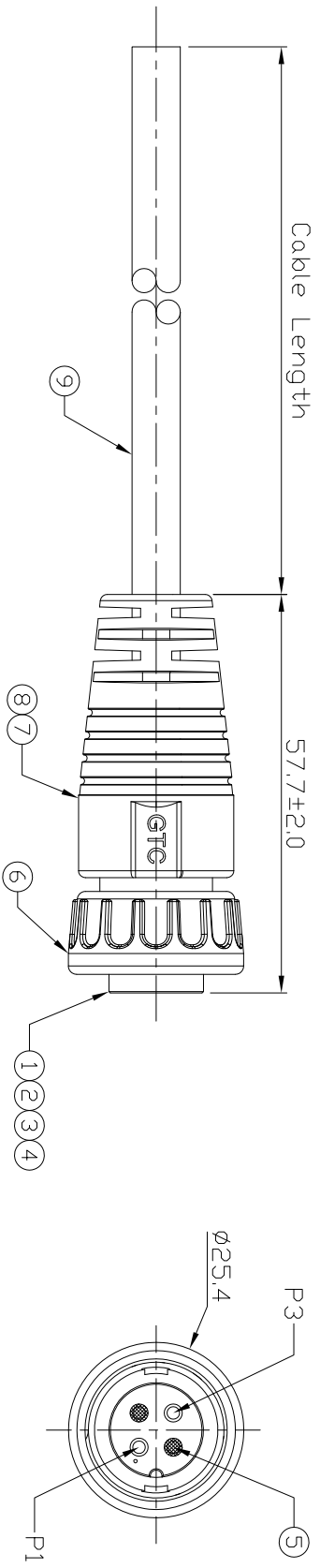


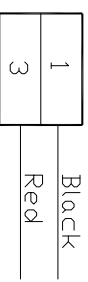
Notes: (Unless Otherwise Specified)  
 1. Waterproof Rate : IP67.  
 2. RoHS Compliant.

REV	ECN#	DESCRIPTION OF REVISION	DRAW BY DATE	CHECK BY DATE	APPROVE BY DATE
01			Vicky 12/20/11	Lucas 12/20/11	Roy 12/20/11



Item	Part Name	Material / Finish	Qty
9	Cable	UL2464 18AWG*2C+AI/My OD=6.0mm, Color: Black	1
8	Over Mold	PVC Color: Black	1
7	Inner Mold	Thermoplastic Color: White or Black	1
6	Screw Nut	Thermoplastic Color: Black	1
5	Gland Pin	Thermoplastic Color: Black	2
4	Base	Thermoplastic Color: Black	1
3	O-Ring	Silicone Color: Red	1
2	Contacts	Copper Alloy Finish: Au Plated	2
1	Housing	Thermoplastic Color: Black	1

GTC  
 R&D DEPT. ISSUE  
 DEC.27.2011  
 ONLY FOR  
 TEMPORARY



Wiring Diagram

GT153324-23026-10	10000 mm	±500
GT153324-23026-09	9000 mm	±450
GT153324-23026-08	8000 mm	±400
GT153324-23026-07	7000 mm	±350
GT153324-23026-06	6000 mm	±300
GT153324-23026-05	5000 mm	±250
GT153324-23026-04	4000 mm	±200
GT153324-23026-03	3000 mm	±150
GT153324-23026-02	2000 mm	±100
GT153324-23026-01	1000 mm	±50
GT153324-23026-Z9	900 mm	±40
GT153324-23026-Z5	500 mm	±40
GT153324-23026-Z3	300 mm	±40

GT Contact CD,LTID

TITLE	DRAWING NUMBER	REV.
C3 10A 2P Cable End Female Screw With 18AWG Cable	GT153324-23026-XX	01

DD NOT SCALE DRAWINGS	SIZE	SCALE	DRAW / DATE	CHECK / DATE	APPROVE / DATE	TOLERANCES	UNIT	SHEET	
THIRD ANGLE PROJECTION	B	1:1	Vicky 12/20/11	Lucas 12/20/11	Roy 12/20/11	XX ± 0.5 XXX ± 0.2	XXXX ANGLES ± 1°	mm	1/1

NOTICE OF PROPRIETARY PROPERTY  
 THE INFORMATION CONTAINED HEREIN IS THE PROPRIETARY PROPERTY OF GT CONTACT CO.,LTD THE POSSESSOR AGREES TO MAINTAIN THE INFORMATION IN CONFIDENCE AND NOT TO REPRODUCE, PUBLISH IT IN WHOLE OR PART (NO) ALL RIGHTS RESERVED