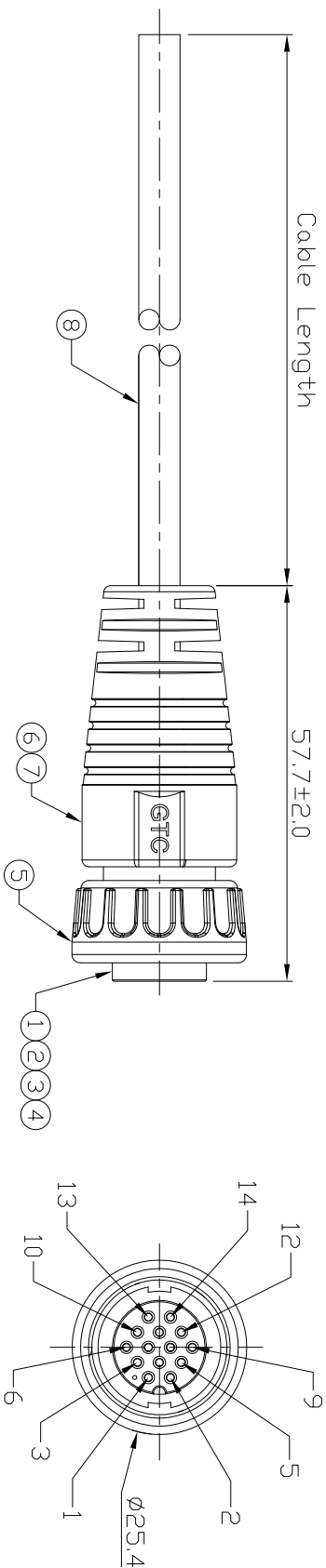


Notes: (Unless Otherwise Specified)
 1. Waterproof Rate : IP67.
 2. RoHS Compliance.

REV	ECN#	DESCRIPTION OF REVISION	DRAW BY DATE	CHECK BY DATE	APPROVE BY DATE
A0		Mass Production	Vicky 04/22/11	Lucas 04/22/11	Roy 04/22/11



GTC
 DOC.CENTER/ISSUE
 APR.27.2011
 ONLY FOR
 RELEASE

Item	Part Name	Material / Finish	Qty
8	Cable	UL2464 24AVG*14C+D+AI/My DD=70mm, Color: Black	1
7	Dver Mold	PVC Color: Black	1
6	Inner Mold	Thermal Plastic Color: White or Black	1
5	Screw Nut	Thermal Plastic Color: Black	1
4	Base	Thermal Plastic Color: Black	1
3	D-Ring	Silicone Color: Red	1
2	Contacts	Copper Alloy Finish: Au Plated	14
1	Housing	Thermal Plastic Color: Black	1

Item	Wire Diagram
1	Brown
2	Blue
3	White
4	Green
5	Yellow
6	Gray
7	Pink
8	Red
9	Black
10	Orange
11	Violet
12	Light Green
13	Black/White
14	Brown/White Drain

Part No.	Cable Length	Tol.
GT153324-22141-10	1000 mm	±500
GT153324-22141-09	900 mm	±450
GT153324-22141-08	800 mm	±400
GT153324-22141-07	700 mm	±350
GT153324-22141-06	600 mm	±300
GT153324-22141-05	500 mm	±250
GT153324-22141-04	400 mm	±200
GT153324-22141-03	300 mm	±150
GT153324-22141-02	200 mm	±100
GT153324-22141-01	1000 mm	±50
GT153324-22141-Z9	900 mm	±40
GT153324-22141-Z5	500 mm	±40
GT153324-22141-Z3	300 mm	±40

C3 5A 14P Cable End Female Screw

TITLE	DRAWING NUMBER	REV.
C3 5A 14P Cable End Female Screw	GT153324-22141-XX	A0

GT Contact CD,LTID

NOTICE OF PROPRIETARY PROPERTY:

THE INFORMATION CONTAINED HEREIN IS THE PROPRIETARY PROPERTY OF GT Contact CD,LTID. THE POSSESSOR AGREES TO THE FOLLOWING:

1. TO MAINTAIN THIS DOCUMENT IN CONFIDENCE

2. TO NOT TO REPRODUCE OR PUBLISH IT IN WHOLE OR PART

3. TO NOT TO REPRODUCE OR PUBLISH IT IN WHOLE OR PART

4. TO NOT TO REPRODUCE OR PUBLISH IT IN WHOLE OR PART

5. TO NOT TO REPRODUCE OR PUBLISH IT IN WHOLE OR PART

6. TO NOT TO REPRODUCE OR PUBLISH IT IN WHOLE OR PART

7. TO NOT TO REPRODUCE OR PUBLISH IT IN WHOLE OR PART

8. TO NOT TO REPRODUCE OR PUBLISH IT IN WHOLE OR PART

9. TO NOT TO REPRODUCE OR PUBLISH IT IN WHOLE OR PART

10. TO NOT TO REPRODUCE OR PUBLISH IT IN WHOLE OR PART

11. TO NOT TO REPRODUCE OR PUBLISH IT IN WHOLE OR PART

12. TO NOT TO REPRODUCE OR PUBLISH IT IN WHOLE OR PART

13. TO NOT TO REPRODUCE OR PUBLISH IT IN WHOLE OR PART

14. TO NOT TO REPRODUCE OR PUBLISH IT IN WHOLE OR PART

15. TO NOT TO REPRODUCE OR PUBLISH IT IN WHOLE OR PART

16. TO NOT TO REPRODUCE OR PUBLISH IT IN WHOLE OR PART

17. TO NOT TO REPRODUCE OR PUBLISH IT IN WHOLE OR PART

18. TO NOT TO REPRODUCE OR PUBLISH IT IN WHOLE OR PART

19. TO NOT TO REPRODUCE OR PUBLISH IT IN WHOLE OR PART

20. TO NOT TO REPRODUCE OR PUBLISH IT IN WHOLE OR PART

21. TO NOT TO REPRODUCE OR PUBLISH IT IN WHOLE OR PART

22. TO NOT TO REPRODUCE OR PUBLISH IT IN WHOLE OR PART

23. TO NOT TO REPRODUCE OR PUBLISH IT IN WHOLE OR PART

24. TO NOT TO REPRODUCE OR PUBLISH IT IN WHOLE OR PART

25. TO NOT TO REPRODUCE OR PUBLISH IT IN WHOLE OR PART

26. TO NOT TO REPRODUCE OR PUBLISH IT IN WHOLE OR PART

27. TO NOT TO REPRODUCE OR PUBLISH IT IN WHOLE OR PART

28. TO NOT TO REPRODUCE OR PUBLISH IT IN WHOLE OR PART

29. TO NOT TO REPRODUCE OR PUBLISH IT IN WHOLE OR PART

30. TO NOT TO REPRODUCE OR PUBLISH IT IN WHOLE OR PART

31. TO NOT TO REPRODUCE OR PUBLISH IT IN WHOLE OR PART

32. TO NOT TO REPRODUCE OR PUBLISH IT IN WHOLE OR PART

33. TO NOT TO REPRODUCE OR PUBLISH IT IN WHOLE OR PART

34. TO NOT TO REPRODUCE OR PUBLISH IT IN WHOLE OR PART

35. TO NOT TO REPRODUCE OR PUBLISH IT IN WHOLE OR PART

36. TO NOT TO REPRODUCE OR PUBLISH IT IN WHOLE OR PART

37. TO NOT TO REPRODUCE OR PUBLISH IT IN WHOLE OR PART

38. TO NOT TO REPRODUCE OR PUBLISH IT IN WHOLE OR PART

39. TO NOT TO REPRODUCE OR PUBLISH IT IN WHOLE OR PART

40. TO NOT TO REPRODUCE OR PUBLISH IT IN WHOLE OR PART

41. TO NOT TO REPRODUCE OR PUBLISH IT IN WHOLE OR PART

42. TO NOT TO REPRODUCE OR PUBLISH IT IN WHOLE OR PART

43. TO NOT TO REPRODUCE OR PUBLISH IT IN WHOLE OR PART

44. TO NOT TO REPRODUCE OR PUBLISH IT IN WHOLE OR PART

45. TO NOT TO REPRODUCE OR PUBLISH IT IN WHOLE OR PART

46. TO NOT TO REPRODUCE OR PUBLISH IT IN WHOLE OR PART

47. TO NOT TO REPRODUCE OR PUBLISH IT IN WHOLE OR PART

48. TO NOT TO REPRODUCE OR PUBLISH IT IN WHOLE OR PART

49. TO NOT TO REPRODUCE OR PUBLISH IT IN WHOLE OR PART

50. TO NOT TO REPRODUCE OR PUBLISH IT IN WHOLE OR PART

51. TO NOT TO REPRODUCE OR PUBLISH IT IN WHOLE OR PART

52. TO NOT TO REPRODUCE OR PUBLISH IT IN WHOLE OR PART

53. TO NOT TO REPRODUCE OR PUBLISH IT IN WHOLE OR PART

54. TO NOT TO REPRODUCE OR PUBLISH IT IN WHOLE OR PART

55. TO NOT TO REPRODUCE OR PUBLISH IT IN WHOLE OR PART

56. TO NOT TO REPRODUCE OR PUBLISH IT IN WHOLE OR PART

57. TO NOT TO REPRODUCE OR PUBLISH IT IN WHOLE OR PART

58. TO NOT TO REPRODUCE OR PUBLISH IT IN WHOLE OR PART

59. TO NOT TO REPRODUCE OR PUBLISH IT IN WHOLE OR PART

60. TO NOT TO REPRODUCE OR PUBLISH IT IN WHOLE OR PART

61. TO NOT TO REPRODUCE OR PUBLISH IT IN WHOLE OR PART

62. TO NOT TO REPRODUCE OR PUBLISH IT IN WHOLE OR PART

63. TO NOT TO REPRODUCE OR PUBLISH IT IN WHOLE OR PART

64. TO NOT TO REPRODUCE OR PUBLISH IT IN WHOLE OR PART

65. TO NOT TO REPRODUCE OR PUBLISH IT IN WHOLE OR PART

66. TO NOT TO REPRODUCE OR PUBLISH IT IN WHOLE OR PART

67. TO NOT TO REPRODUCE OR PUBLISH IT IN WHOLE OR PART

68. TO NOT TO REPRODUCE OR PUBLISH IT IN WHOLE OR PART

69. TO NOT TO REPRODUCE OR PUBLISH IT IN WHOLE OR PART

70. TO NOT TO REPRODUCE OR PUBLISH IT IN WHOLE OR PART

71. TO NOT TO REPRODUCE OR PUBLISH IT IN WHOLE OR PART

72. TO NOT TO REPRODUCE OR PUBLISH IT IN WHOLE OR PART

73. TO NOT TO REPRODUCE OR PUBLISH IT IN WHOLE OR PART

74. TO NOT TO REPRODUCE OR PUBLISH IT IN WHOLE OR PART

75. TO NOT TO REPRODUCE OR PUBLISH IT IN WHOLE OR PART

76. TO NOT TO REPRODUCE OR PUBLISH IT IN WHOLE OR PART

77. TO NOT TO REPRODUCE OR PUBLISH IT IN WHOLE OR PART

78. TO NOT TO REPRODUCE OR PUBLISH IT IN WHOLE OR PART

79. TO NOT TO REPRODUCE OR PUBLISH IT IN WHOLE OR PART

80. TO NOT TO REPRODUCE OR PUBLISH IT IN WHOLE OR PART

81. TO NOT TO REPRODUCE OR PUBLISH IT IN WHOLE OR PART

82. TO NOT TO REPRODUCE OR PUBLISH IT IN WHOLE OR PART

83. TO NOT TO REPRODUCE OR PUBLISH IT IN WHOLE OR PART

84. TO NOT TO REPRODUCE OR PUBLISH IT IN WHOLE OR PART

85. TO NOT TO REPRODUCE OR PUBLISH IT IN WHOLE OR PART

86. TO NOT TO REPRODUCE OR PUBLISH IT IN WHOLE OR PART

87. TO NOT TO REPRODUCE OR PUBLISH IT IN WHOLE OR PART

88. TO NOT TO REPRODUCE OR PUBLISH IT IN WHOLE OR PART

89. TO NOT TO REPRODUCE OR PUBLISH IT IN WHOLE OR PART

90. TO NOT TO REPRODUCE OR PUBLISH IT IN WHOLE OR PART

91. TO NOT TO REPRODUCE OR PUBLISH IT IN WHOLE OR PART

92. TO NOT TO REPRODUCE OR PUBLISH IT IN WHOLE OR PART

93. TO NOT TO REPRODUCE OR PUBLISH IT IN WHOLE OR PART

94. TO NOT TO REPRODUCE OR PUBLISH IT IN WHOLE OR PART

95. TO NOT TO REPRODUCE OR PUBLISH IT IN WHOLE OR PART

96. TO NOT TO REPRODUCE OR PUBLISH IT IN WHOLE OR PART

97. TO NOT TO REPRODUCE OR PUBLISH IT IN WHOLE OR PART

98. TO NOT TO REPRODUCE OR PUBLISH IT IN WHOLE OR PART

99. TO NOT TO REPRODUCE OR PUBLISH IT IN WHOLE OR PART

100. TO NOT TO REPRODUCE OR PUBLISH IT IN WHOLE OR PART

THIRD ANGLE PROJECTION	SIZE	SCALE	DRAW / DATE	CHECK / DATE	APPROVE / DATE	TOLERANCES	UNIT	SHEET
1	B	1:1	Vicky 04/22/11	Lucas 04/22/11	Roy 04/22/11	XX ± 0.5 XXXX ANGLES ± 1°	mm	1/1